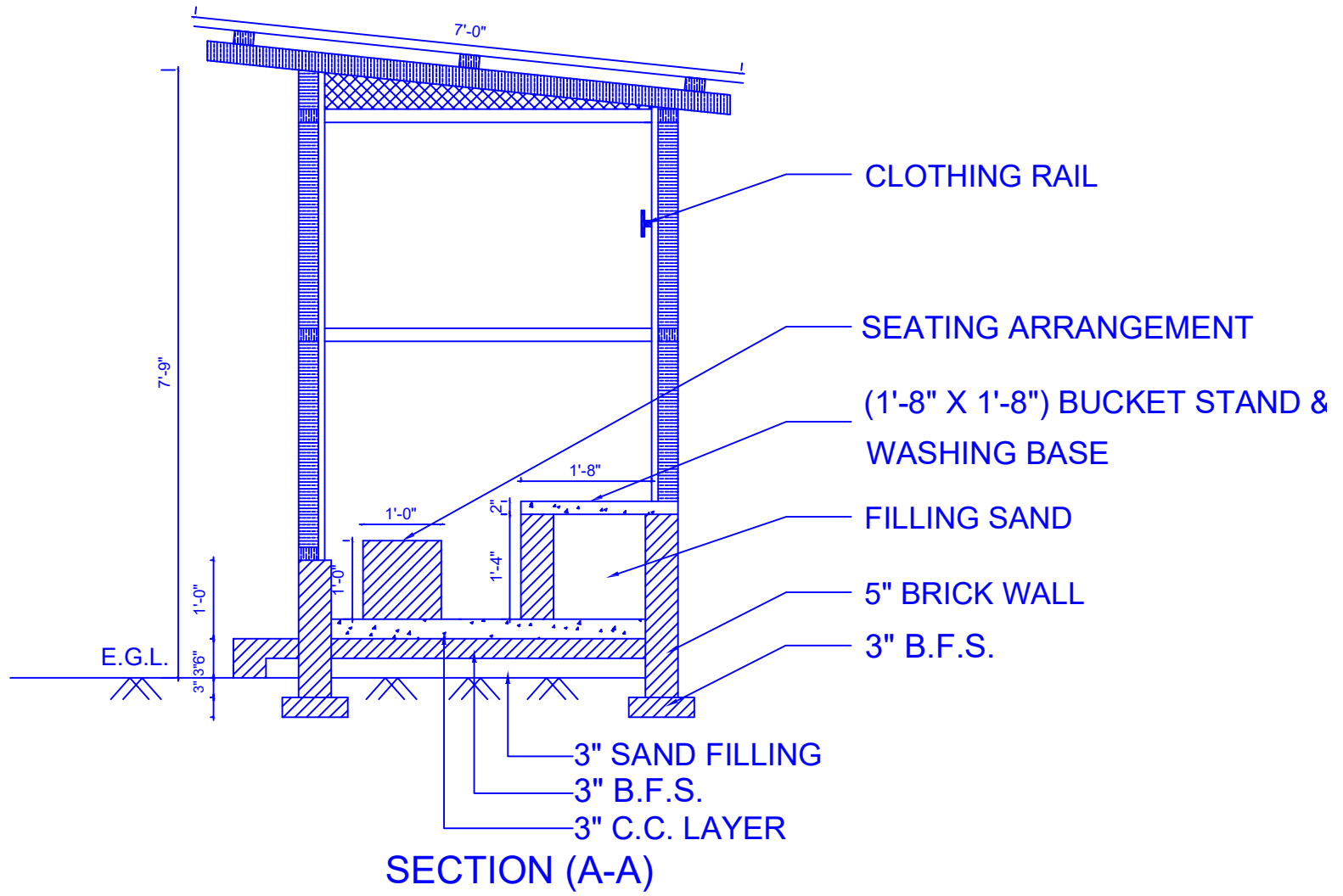


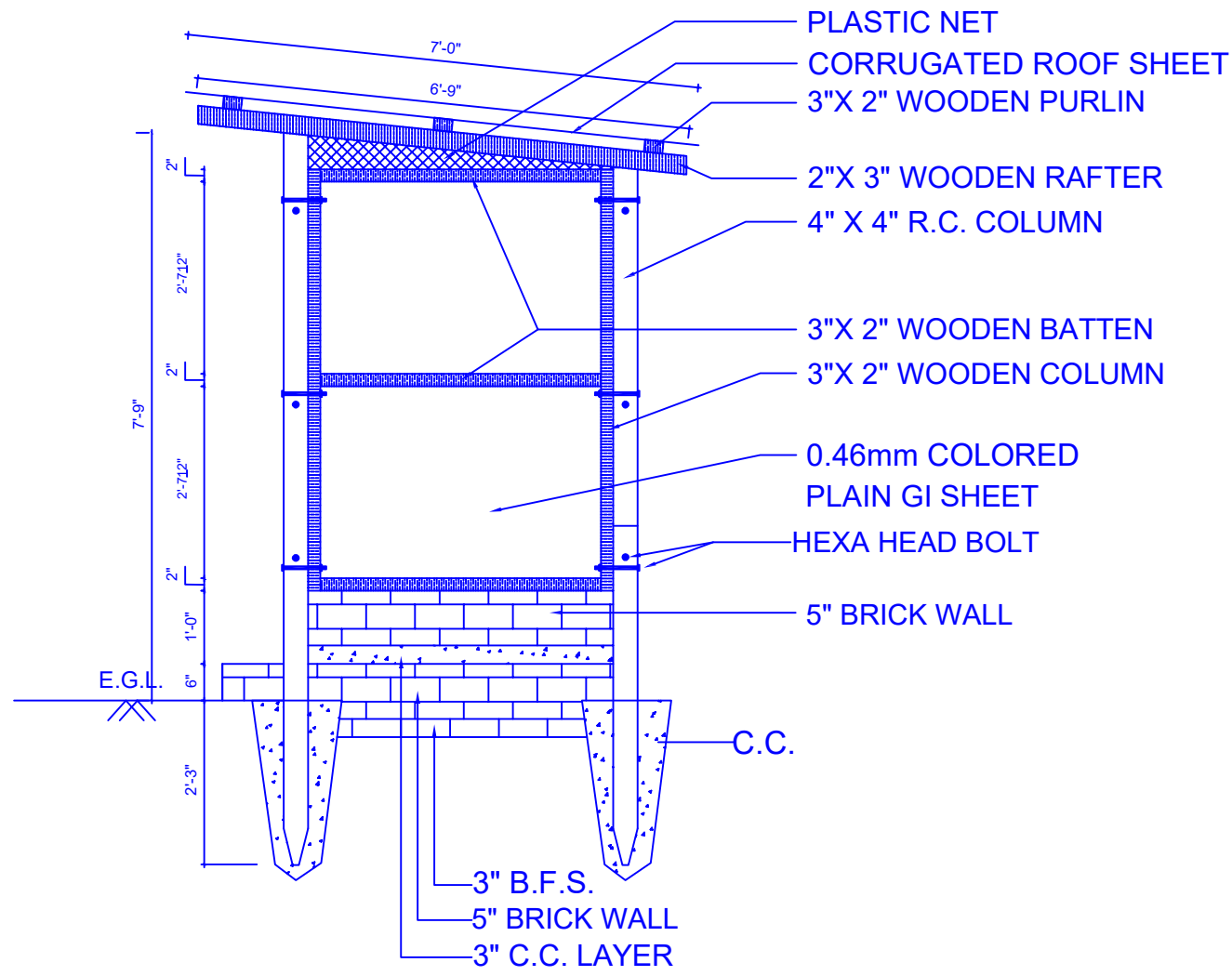


Plan

	Drawing Title	Page #	Drawing By :	Checked By :	Endorsed By :	Approved By :	
	Design of Bathing Cubicle with MHM Facilities	01 to 07	Md Ashrafal Alam WASH Coordinator	Milon Kumar Paul WASH Program Manager	Md. Abul Bashar Program director	WASH Sector, cox's Bazar	

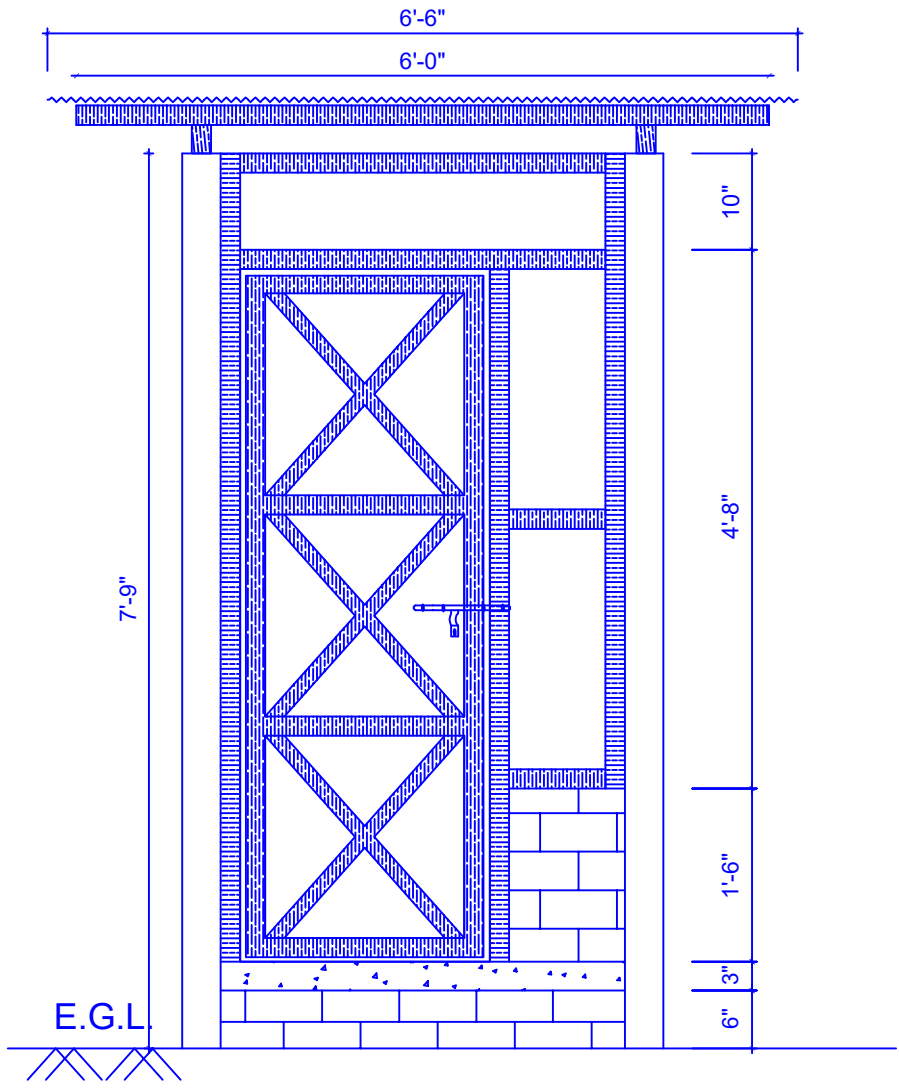


	Drawing Title	Page #	Drawing By :	Checked By :	Endorsed By :	Approved By :	
	Design of Bathing Cubicle with MHM Facilities	02 to 07	Md Ashraf Alom WASH Coordinator	Milon Kumar Paul WASH Program Manager	Md. Abul Bashir Program director	WASH Sector, cox's Bazar	

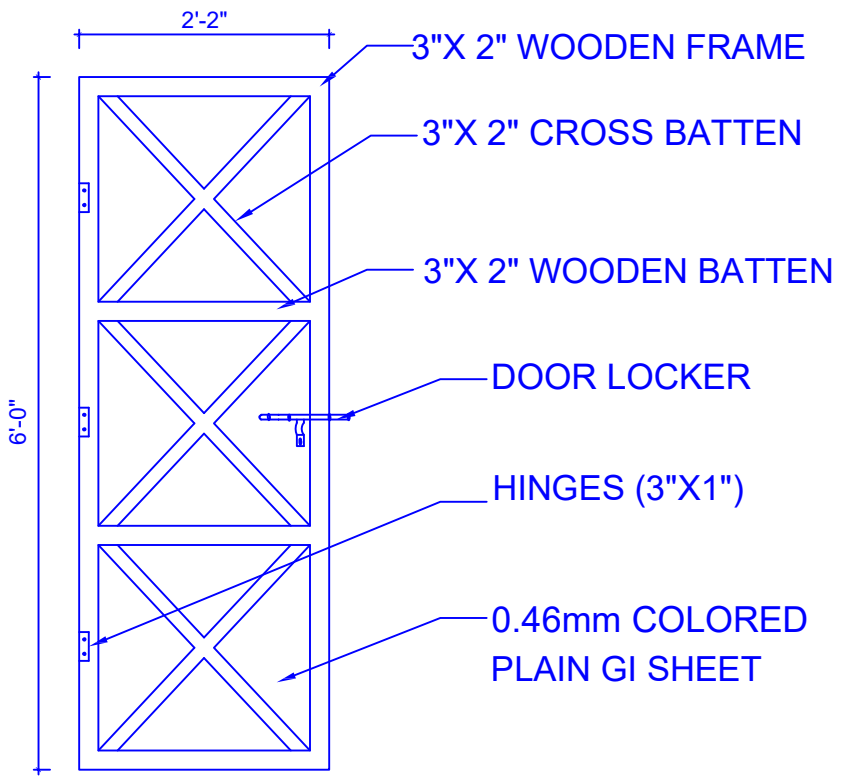


SECTION (B-B)

	Drawing Title	Page #	Drawing By :	Checked By :	Endorsed By :	Approved By :	
	Design of Bathing Cubicle with MHM Facilities	03 to 07	Md Ashrafal Alom WASH Coordinator	Milon Kumar Paul WASH Program Manager	Md. Abul Bashar Program director	WASH Sector, cox's Bazar	

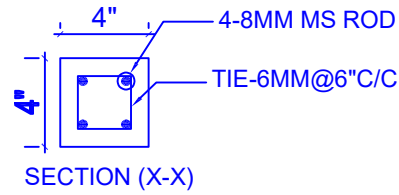


FRONT VIEW

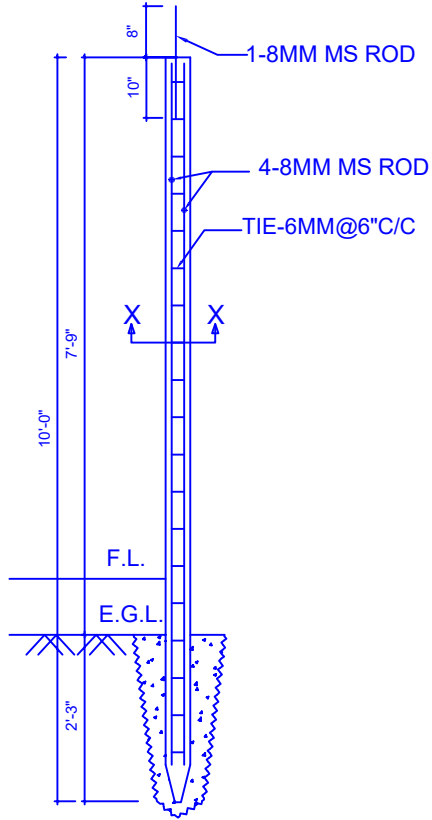


DOOR SECTION

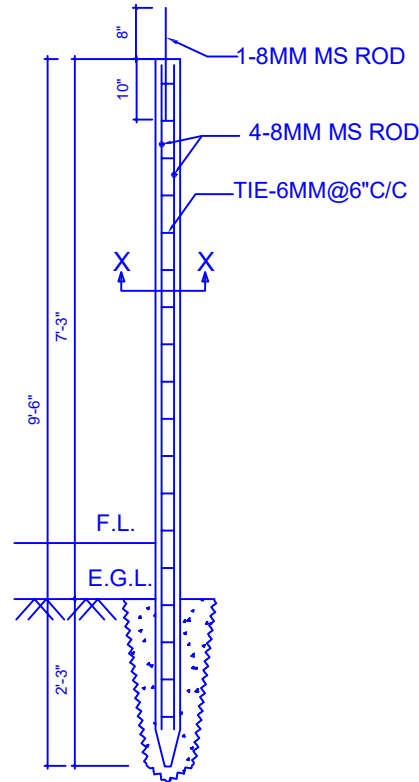
	Drawing Title	Page #	Drawing By :	Checked By :	Endorsed By :	Approved By :	
	Design of Bathing Cubicle with MHM Facilities	04 to 07	Md Ashrafal Alam WASH Coordinator	Milon Kumar Paul WASH Program Manager	Md. Abul Bashar Program director	WASH Sector, cox's Bazar	



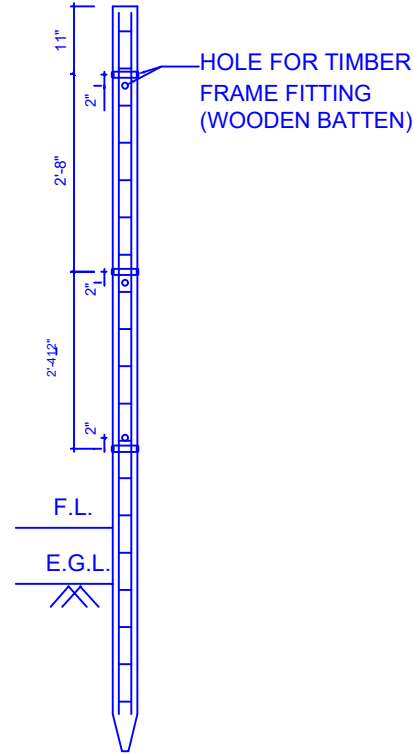
- NOTES:
 1. Concrete Mixing Ratio - 1:1.5:3
 2. Reinforcement Grade - 60
 3. Using 3/4" Down Graded Brick Chips and Sand (FM=2.2)



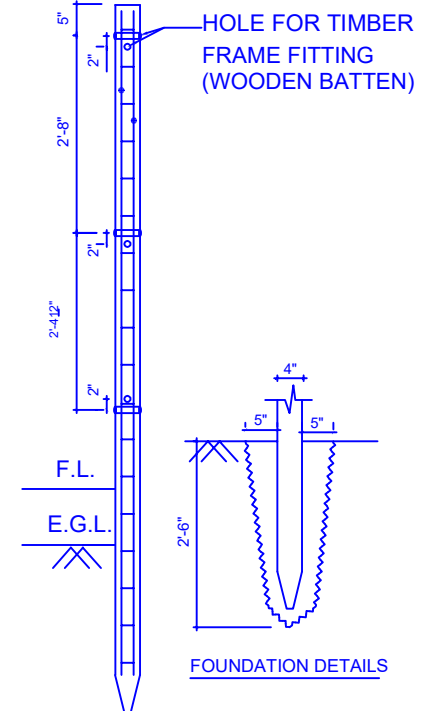
DETAILS OF R.C. PRECAST PILLAR (FRONT)



DETAILS OF R.C. PRECAST PILLAR (BACK)

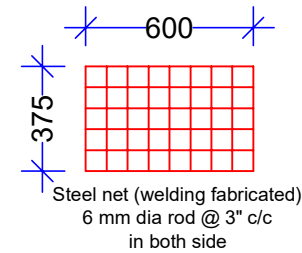
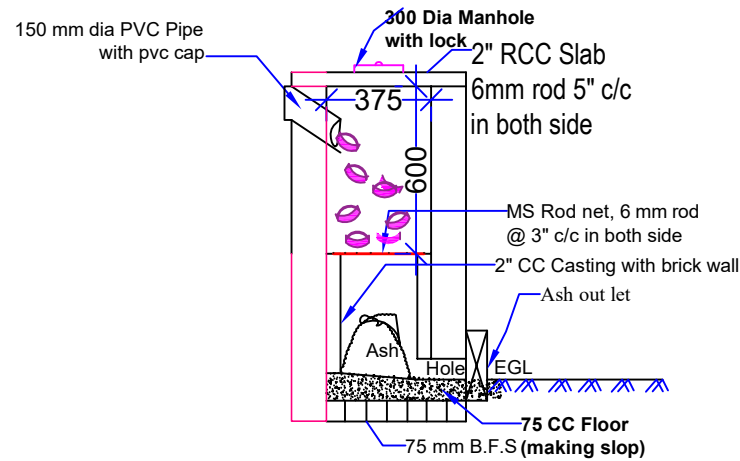
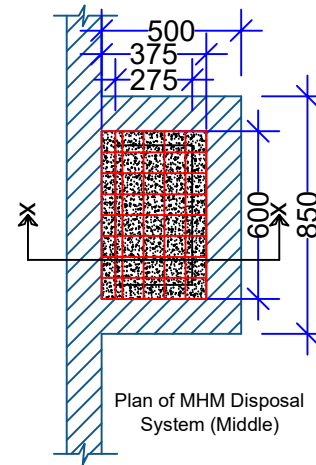
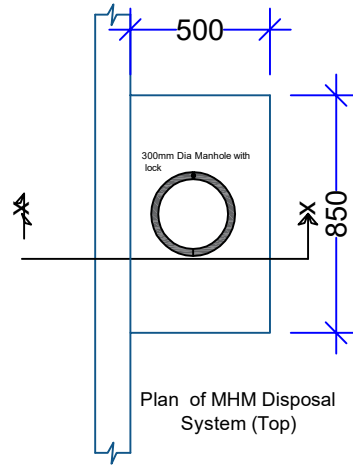


DETAILS OF HOLE R.C. PRECAST PILLAR (FRONT)



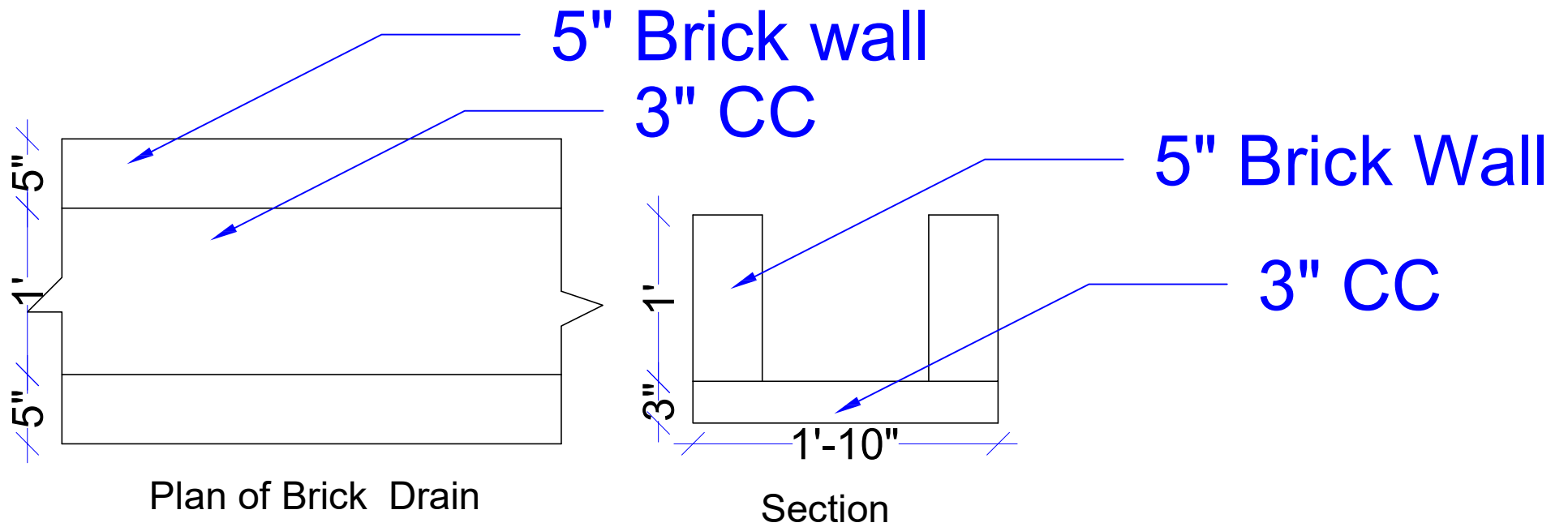
DETAILS OF HOLE R.C. PRECAST PILLAR (BACK)



FOUNDATION DETAILS



Section of MHM Disposal System

	Drawing Title	Page #	Drawing By :	Checked By :	Endorsed By :	Approved By :	
	Design of Bathing Cubicle with MHM Facilities	06 to 07	Md Ashrafal Alom WASH Coordinator	Milon Kumar Paul WASH Program Manager	Md. Abul Bashar Program director	WASH Sector, cox's Bazar	



 CPI COMMUNITY PARTNERS INTERNATIONAL	Drawing Title	Page #	Drawing By :	Checked By :	Endorsed By :	Approved By :	 Green Hill Transforming the Marginalized
	Design of Bathing Cubicle with MHM Facilities	07 to 07	Md Ashraful Alom WASH Coordinator	Milon Kumar Paul WASH Program Manager	Md. Abul Bashar Program director	WASH Sector, cox's Bazar	