

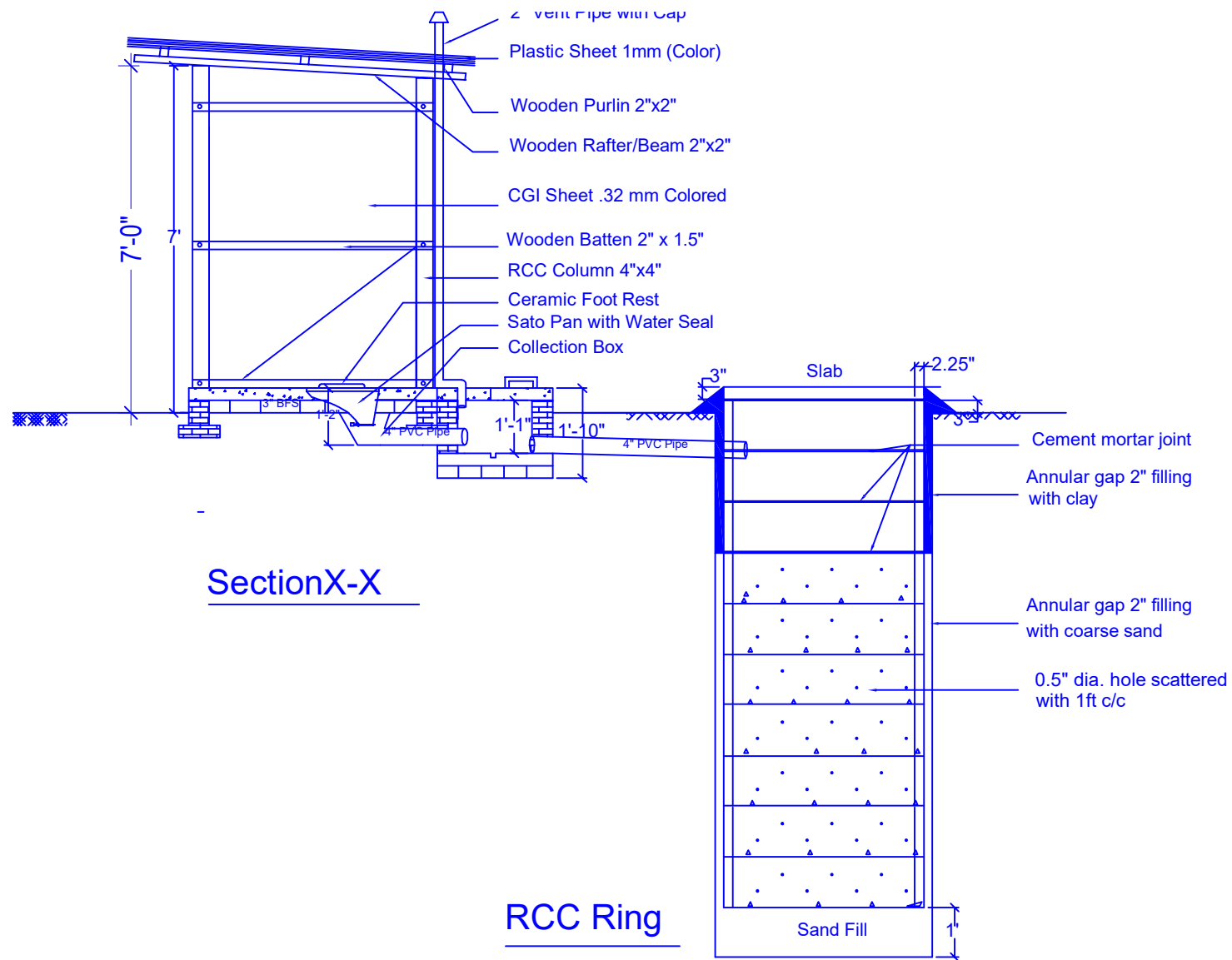


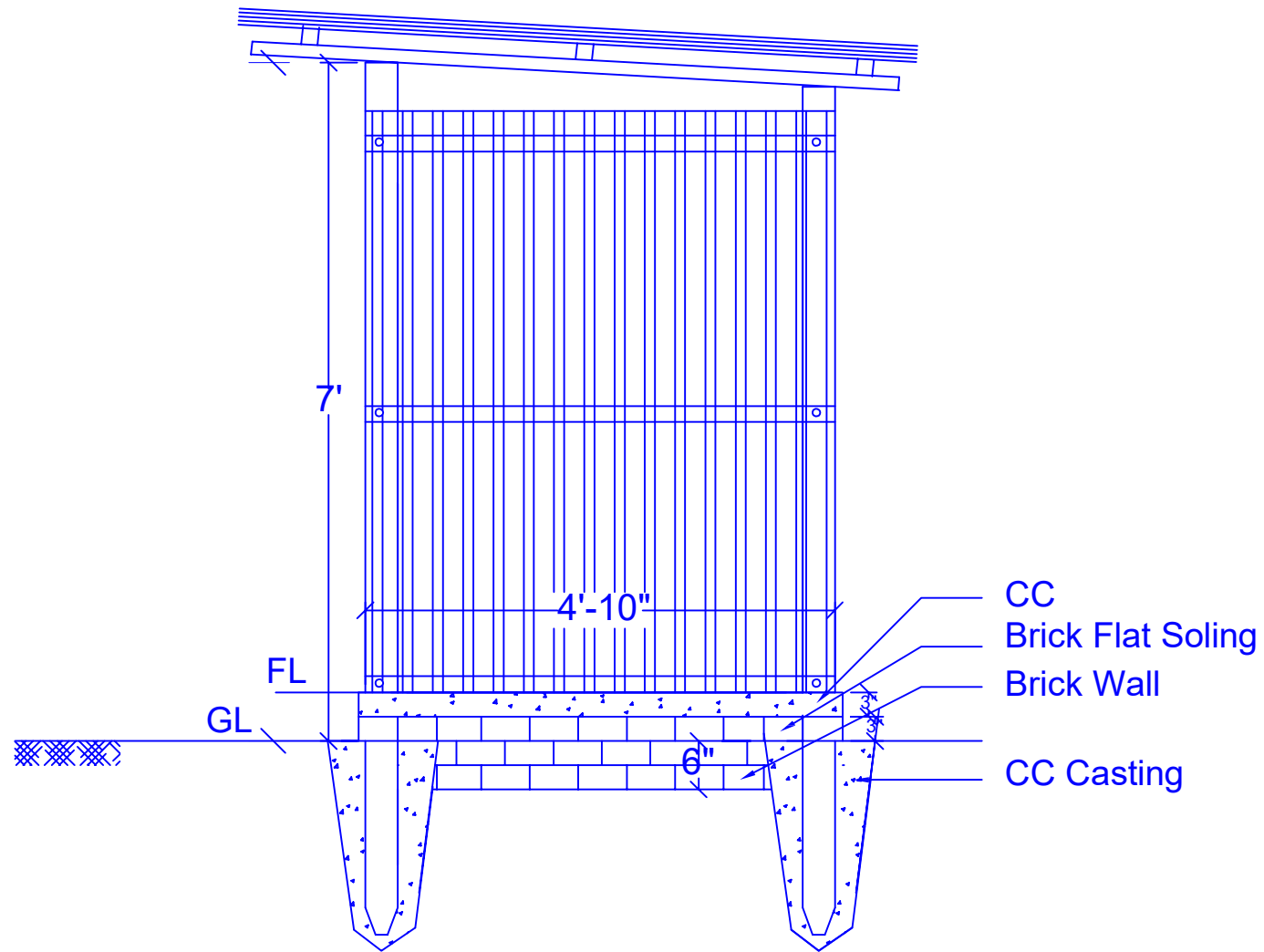


Plan



	Drawing Title	Page #	Drawing By :	Checked By :	Endorsed By :	Approved By :	
	Design of Twin Pit Latrine	01 to 08	Md Ashraful Alom WASH Coordinator	Milon Kumar Paul WASH Program Manager	Md. Abul Bashar Program director	WASH Sector, cox's Bazar	

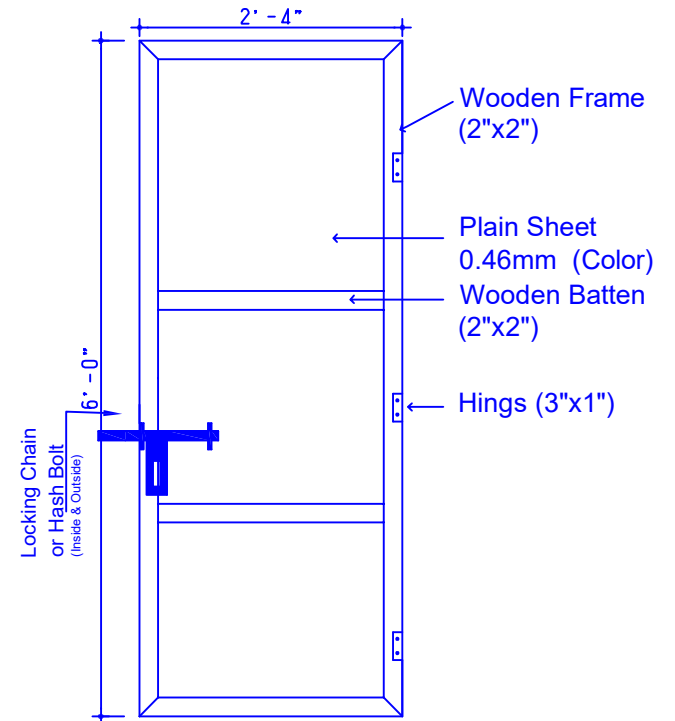
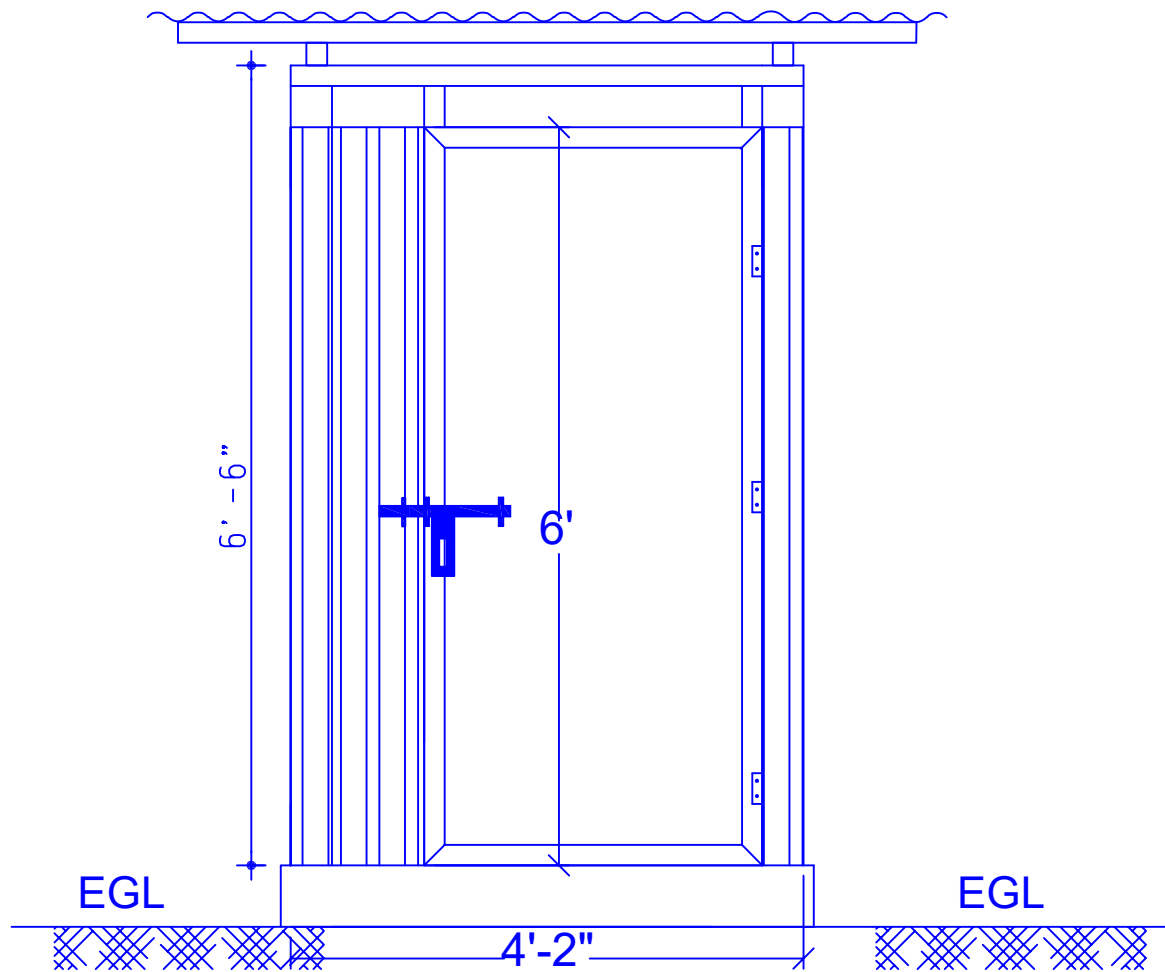


	Drawing Title	Page #	Drawing By :	Checked By :	Endorsed By :	Approved By :	
	Deisgn of Twin Pit Latrine	02 to 08	Md Ashraful Alom WASH Coordinator	Milon Kumar Paul WASH Program Manager	Md. Abul Bashar Program director	WASH Sector, cox's Bazar	



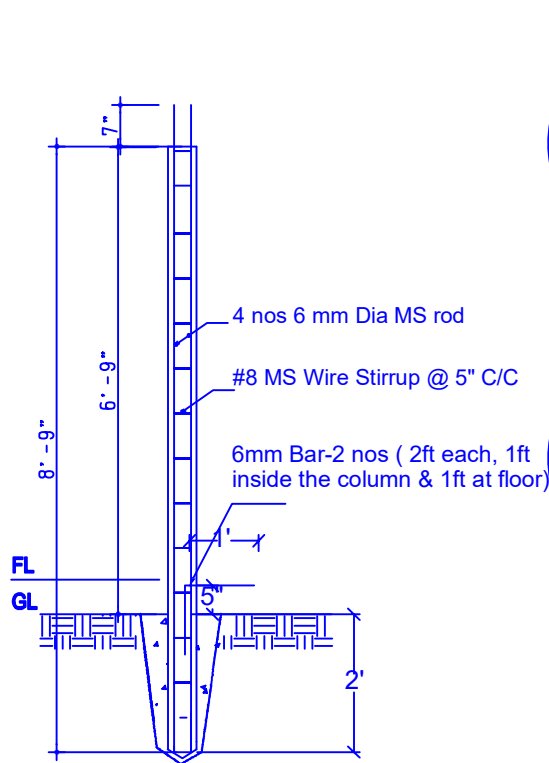
Section A-A

	Drawing Title	Page #	Drawing By :	Checked By :	Endorsed By :	Approved By :	
 CPI COMMUNITY PARTNERS INTERNATIONAL	Deisgn of Twin Pit Latrine	03 to 08	Md Ashrafal Alom WASH Coordinator	Milon Kumar Paul WASH Program Manager	Md. Abul Bashar Program director	WASH Sector, cox's Bazar	 Green Hill Transforming the Marginalized

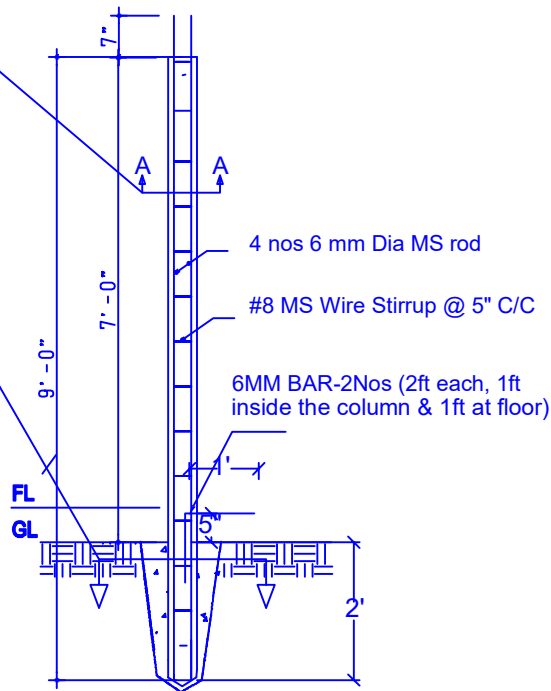
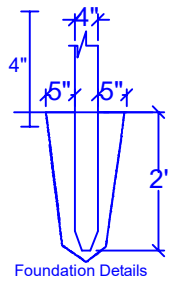
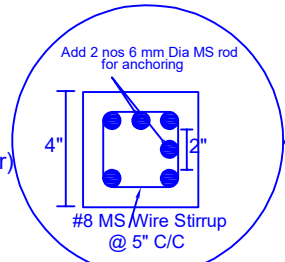
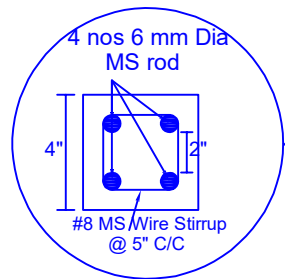


Door Elevation
(Internal Side)

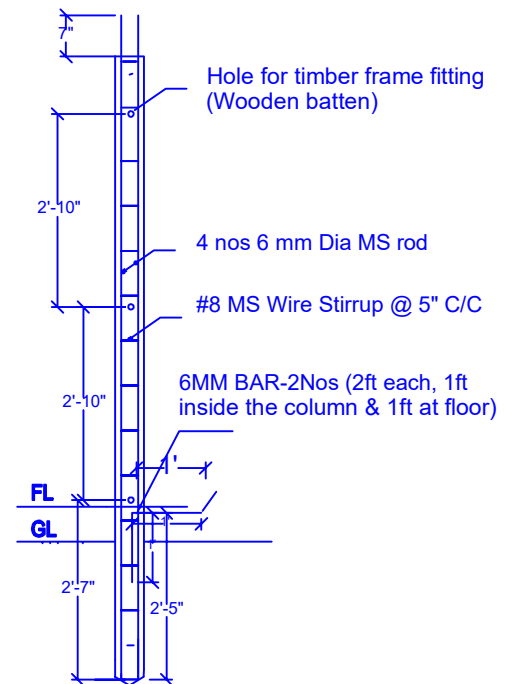
	Drawing Title	Page #	Drawing By :	Checked By :	Endorsed By :	Approved By :	
	Deisgn of Twin Pit Latrine	04 to 08	Md Ashrafal Alom WASH Coordinator	Milon Kumar Paul WASH Program Manager	Md. Abul Bashar Program director	WASH Sector, cox's Bazar	





DETAILS OF PRECAST R.C.C PILLAR (Back)

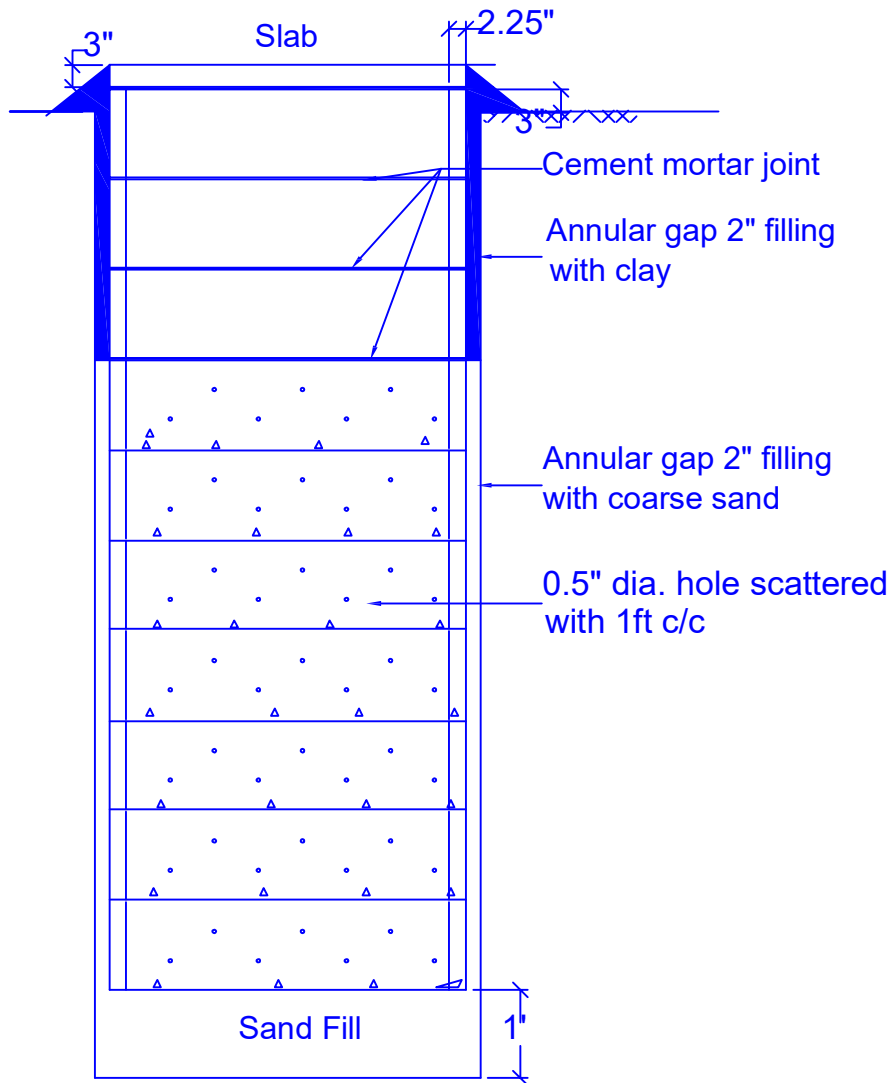


DETAILS OF PRECAST R.C.C PILLAR (Front)

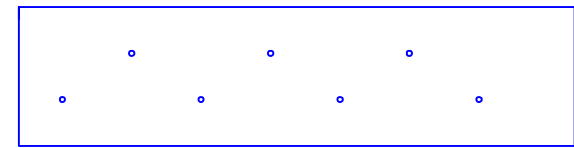


Hole detailing for PRECAST R.C.C PILLAR

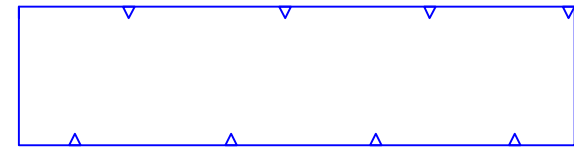
	Drawing Title	Page #	Drawing By :	Checked By :	Endorsed By :	Approved By :	
	Design of Twin Pit Latrine	05 to 08	Md Ashraful Alam WASH Coordinator	Milon Kumar Paul WASH Program Manager	Md. Abul Bashar Program director	WASH Sector, cox's Bazar	



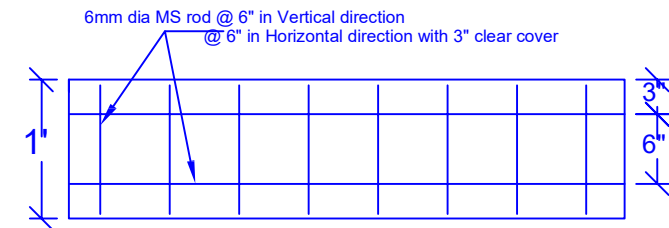
RCC Ring





RCC Ring (Option 1)

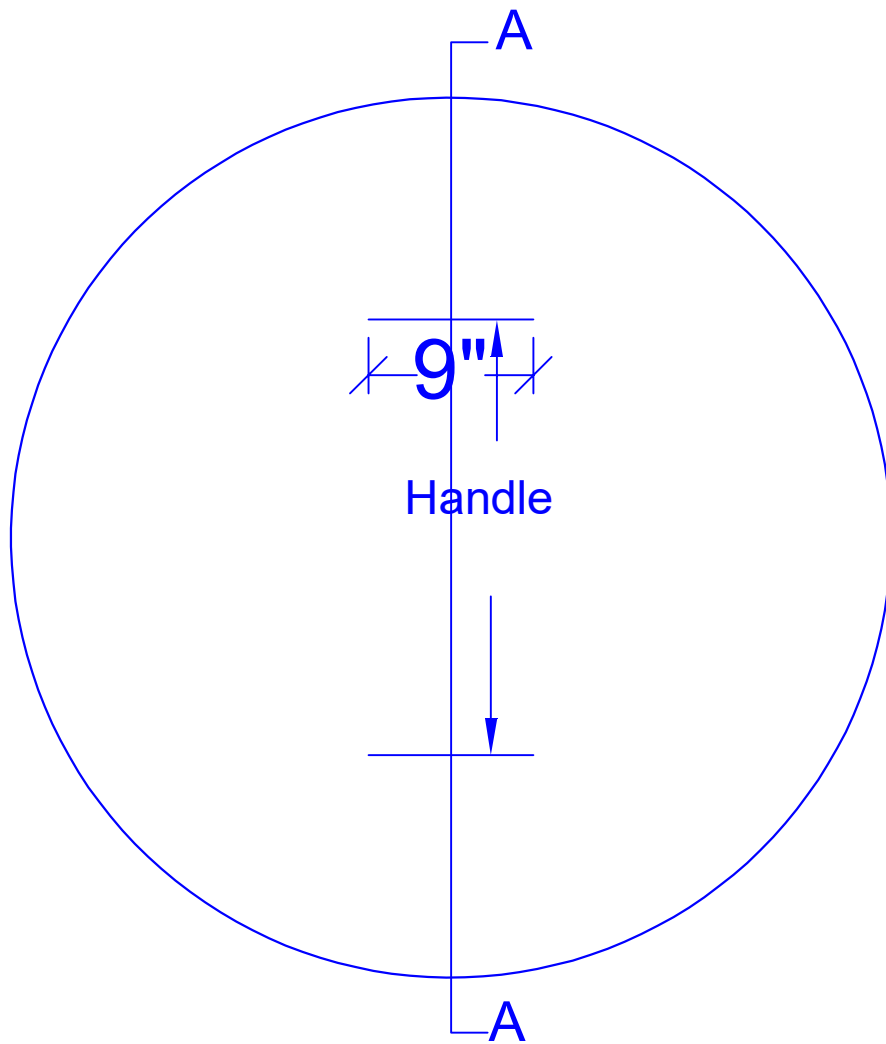


RCC Ring (Option 2)

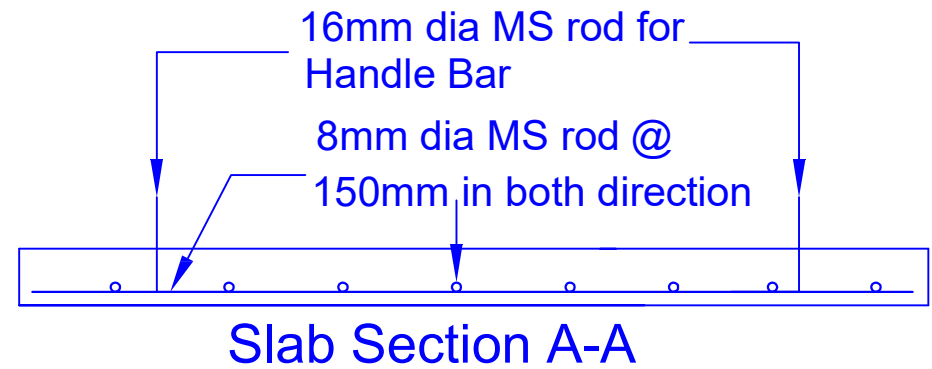


Section of Ring

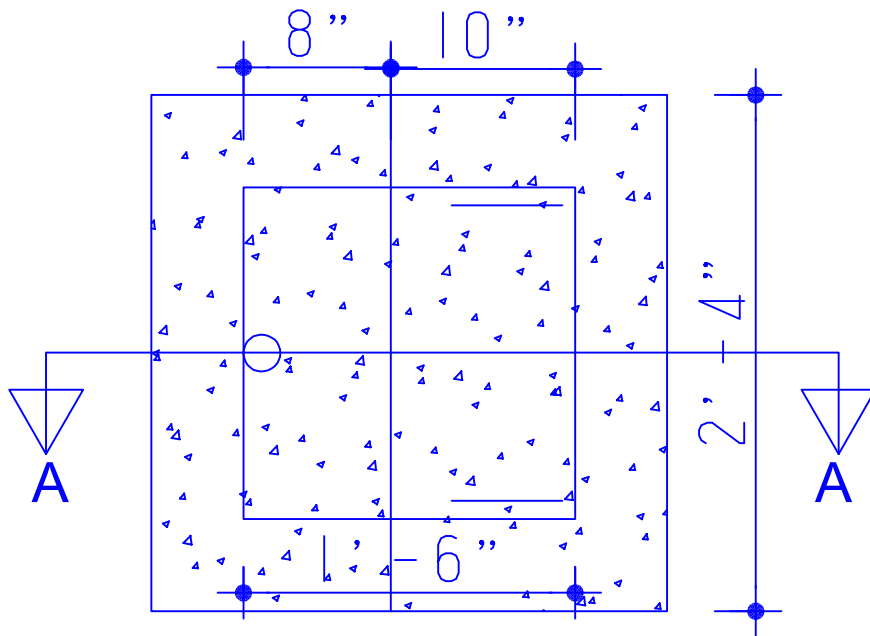
Drawing Title	Page #	Drawing By :	Checked By :	Endorsed By :	Approved By :	
	Design of Twin Pit Latrine	06 to 08	Md Ashraful Alom WASH Coordinator	Milon Kumar Paul WASH Program Manager	Md. Abul Bashar Program director	WASH Sector, cox's Bazar
						



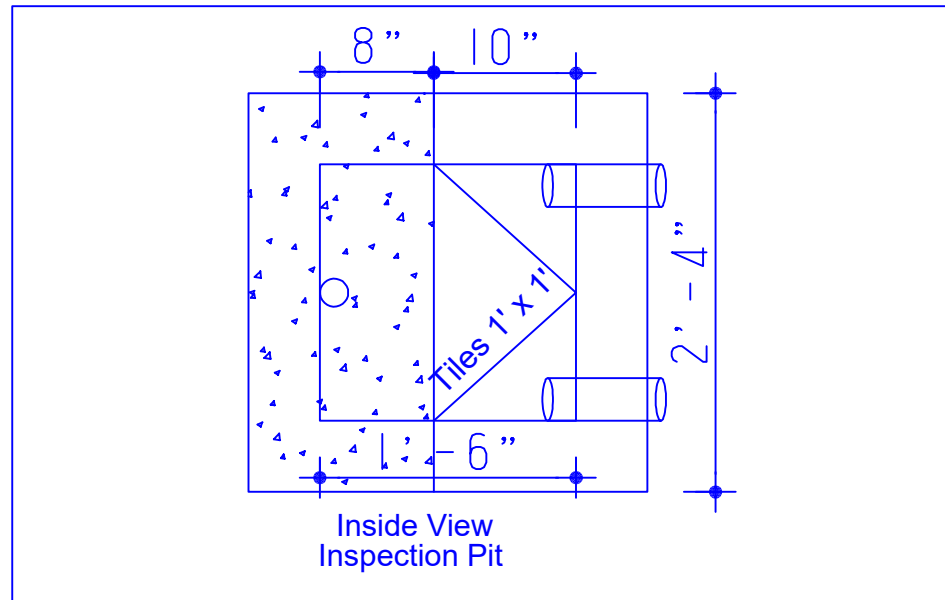
Plan of RCC Slab



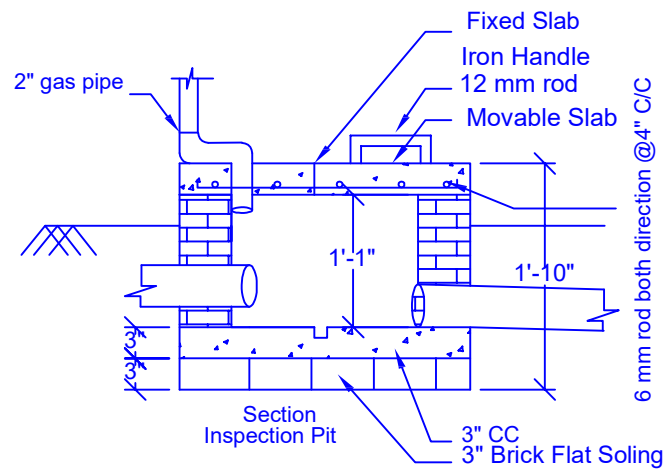
Drawing Title	Page #	Drawing By :	Checked By :	Endorsed By :	Approved By :
Deisgn of Twin Pit Latrine	07 to 08	Md Ashraful Alom WASH Coordinator	Milon Kumar Paul WASH Program Manager	Md. Abul Bashar Program director	WASH Sector, cox's Bazar





Plan
Inspection Pit



Inside View
Inspection Pit



Section
Inspection Pit

	Drawing Title	Page #	Drawing By :	Checked By :	Endorsed By :	Approved By :	
	Design of Twin Pit Latrine	08 to 08	Md Ashraful Alom WASH Coordinator	Milon Kumar Paul WASH Program Manager	Md. Abul Bashar Program director	WASH Sector, cox's Bazar	