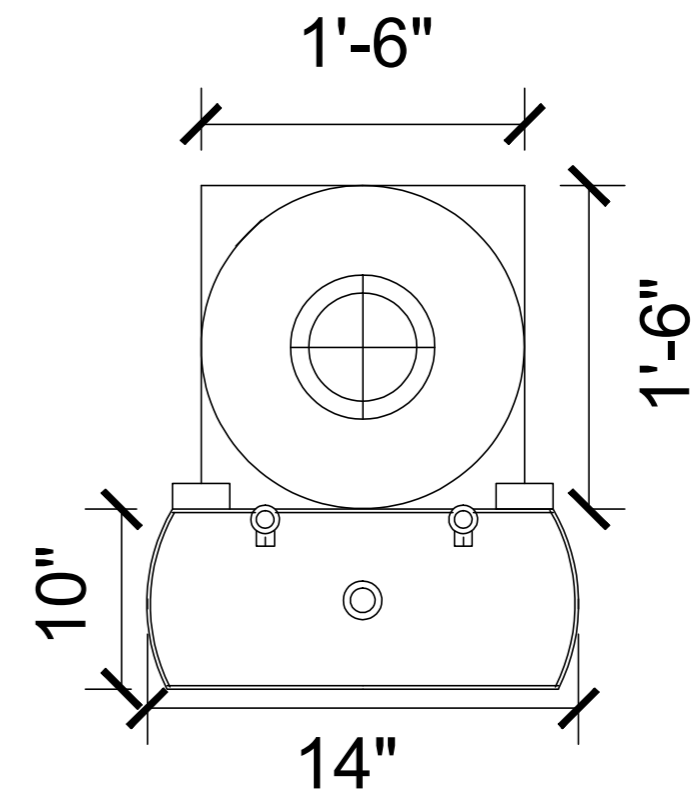


FRONT VEIW.



PLAN OF HAND WASHING DEVICE.

Project Name	Location	Drawing Title	Scale	Submission Date	Design by	Reviewed By	Approved By
GH-CPI WASH PROGRAM	Camp-1W,4,17	Hand Washing Device	NTS	March,2023	Md. Jiku Meah Wash Coordinator	Milun Kumar Paul Wash PM	
	GPS		Unit	Approval Date			
			Inch				