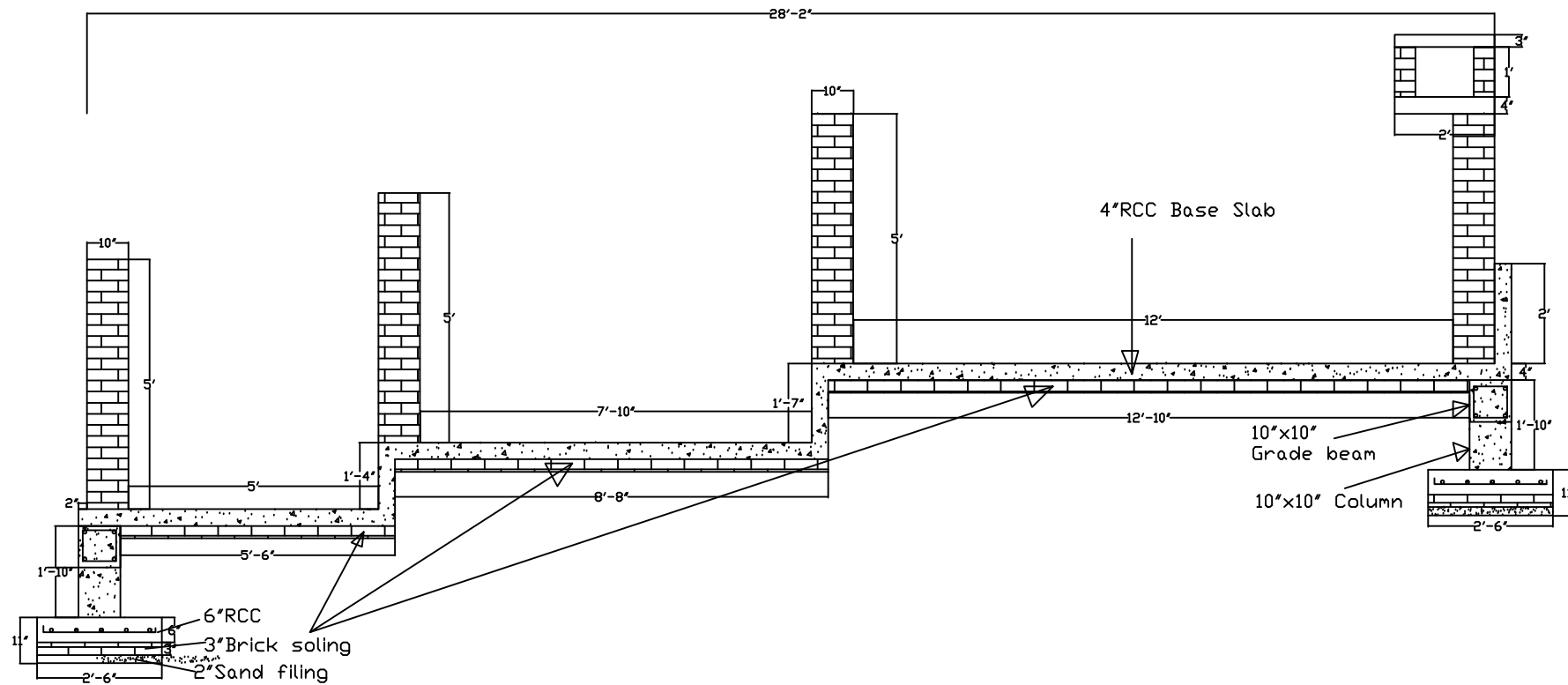
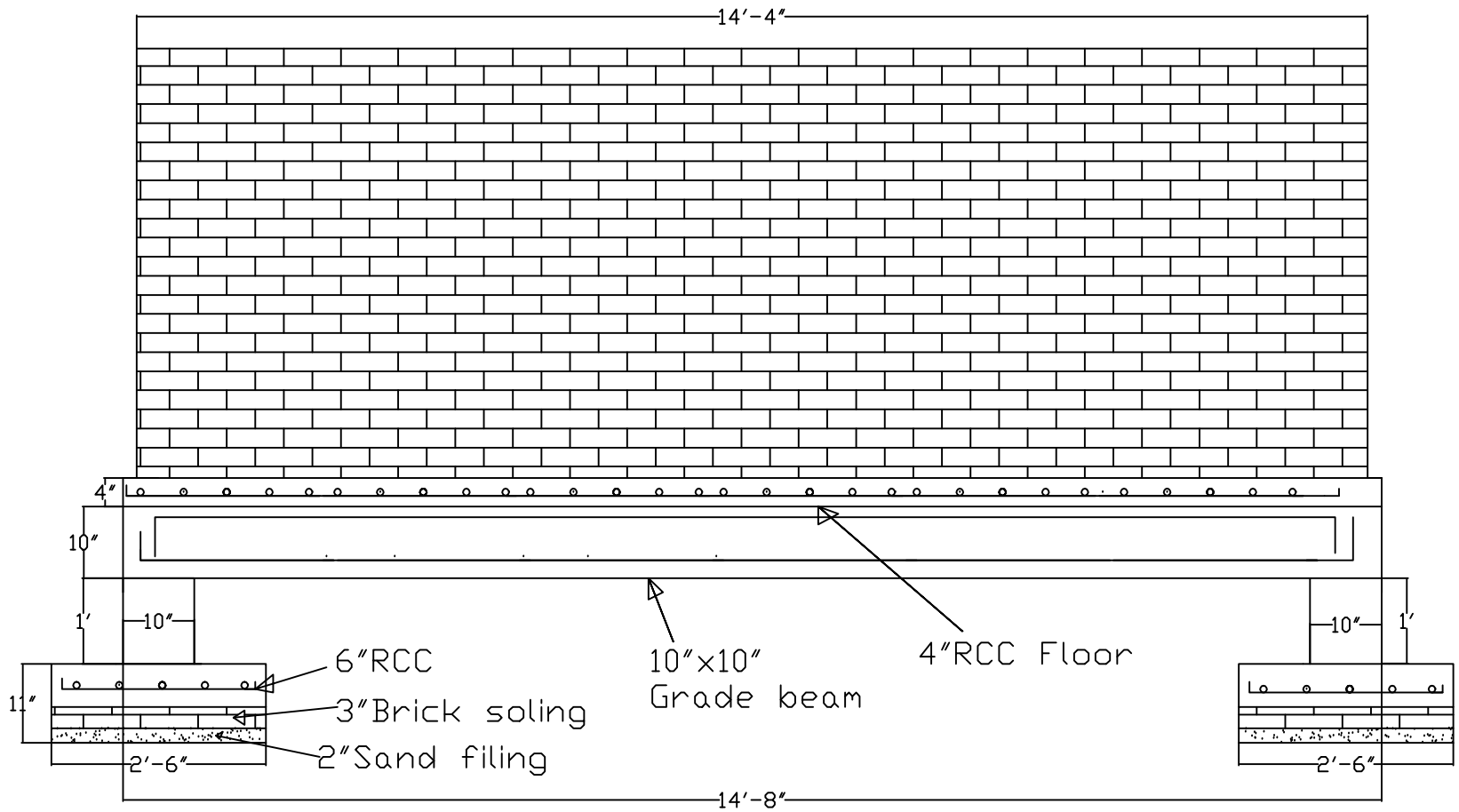


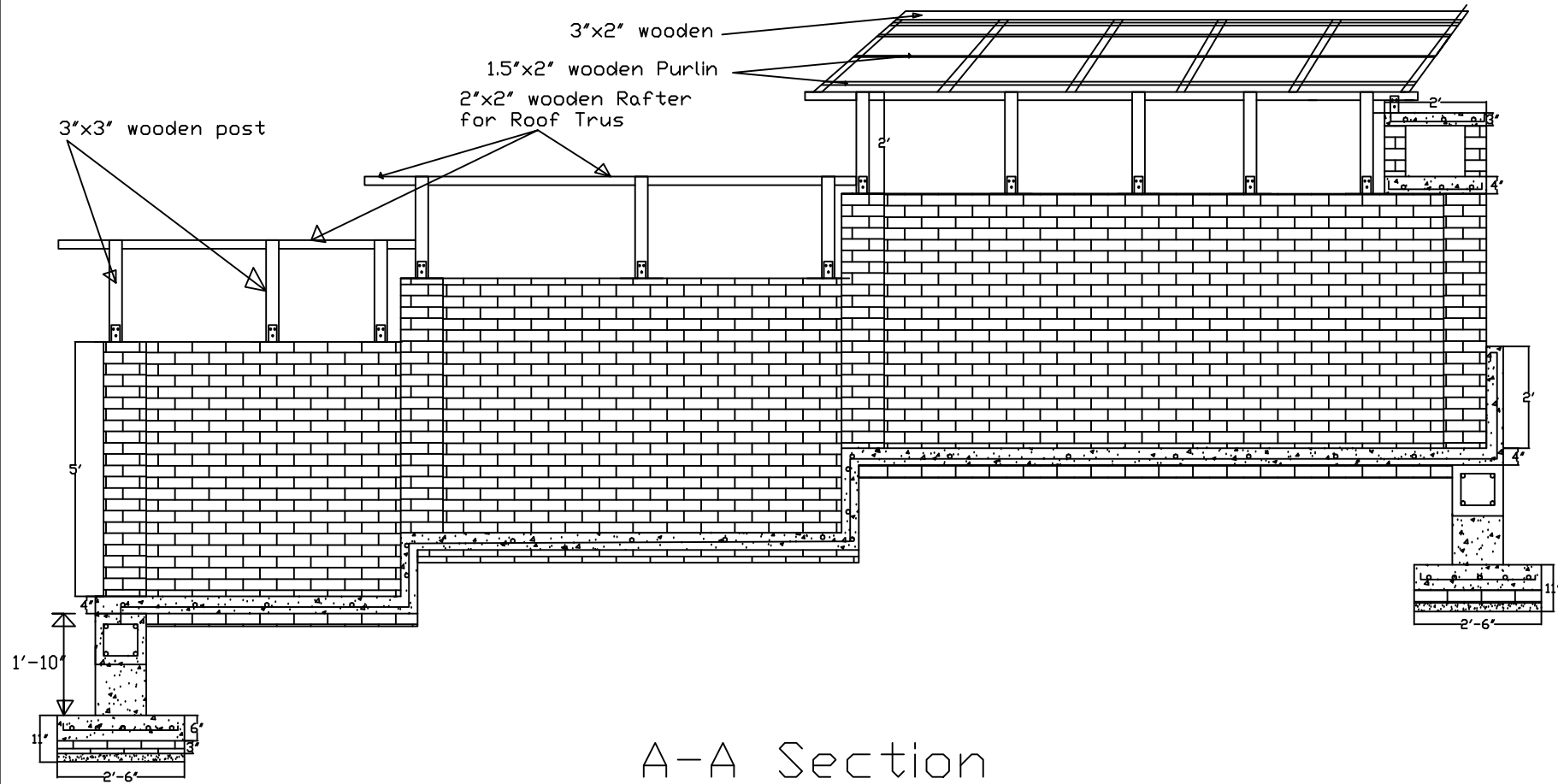
Plan

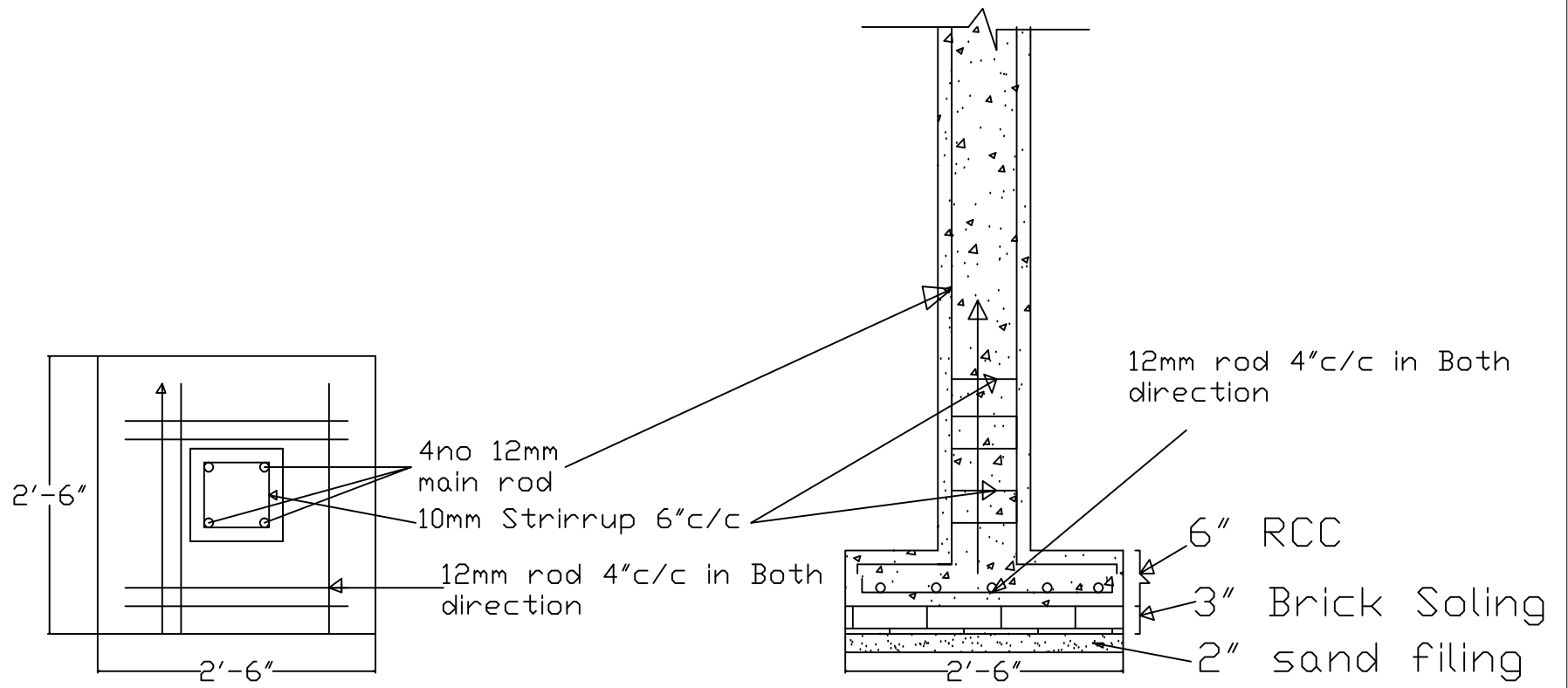


X-X Section



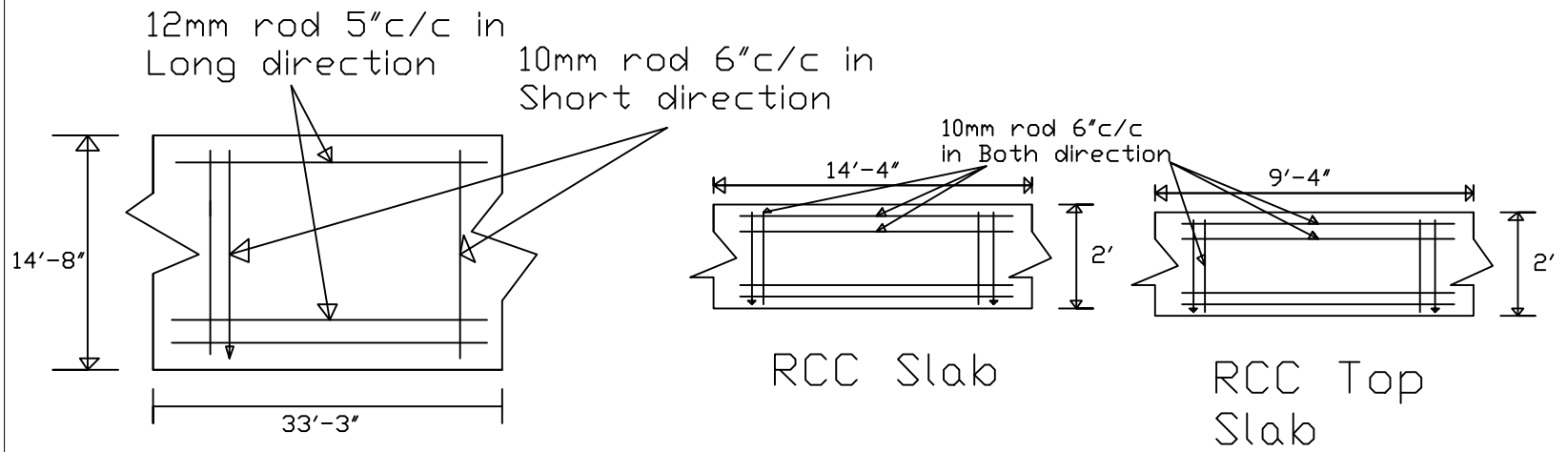
Y-Y Section



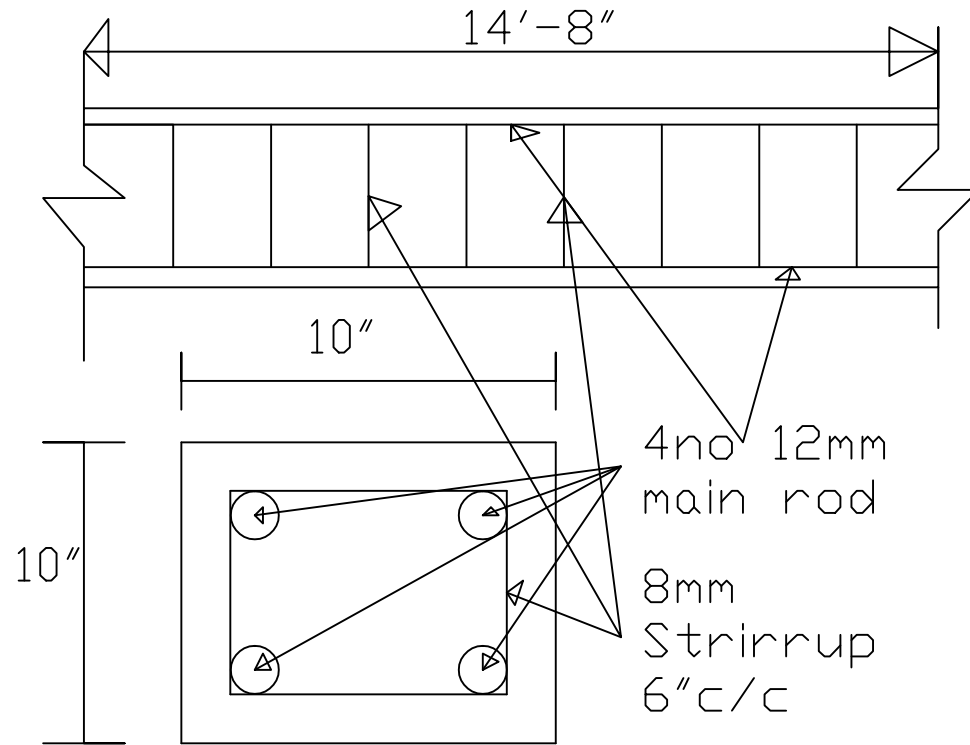


Footing Detailing

Column Detailing



Floor Reinforcement detailing



Detailing of Grade
Beam



