

# PROJECT

## DRAWING of INCLUSIVE WASH BLOCK (WITH RAMP)

(1 BATHING and 2 LATRINES)

September, 2021

PREPARED By: BRAC, VERC & WVB

REVIEWED By: UNICEF

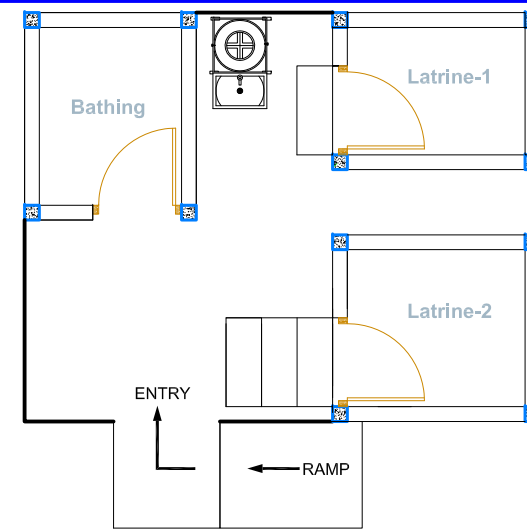
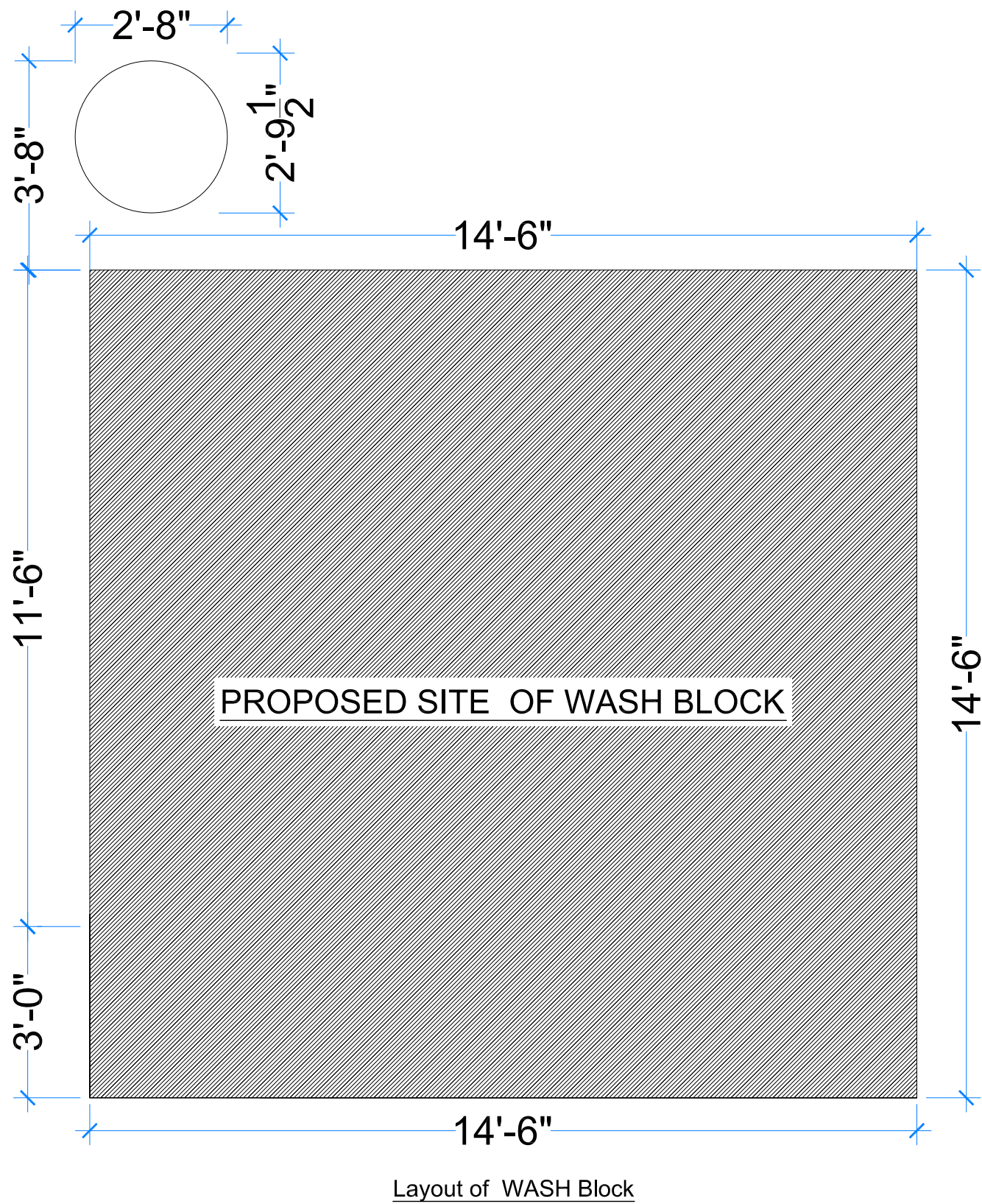
*REVISED VERSION - 01*

# INDEX

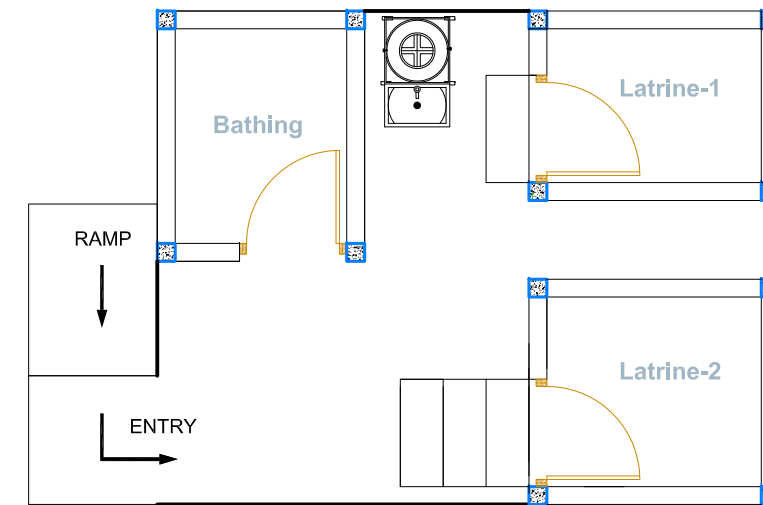
SL. NO.	SHEET NO.	DRAWING TITLE
01	01	Layout of WASH Block
02	02 & 03	Modified Portion of WASH Block
03	04	Plan of WASH Block
04	05	Details Plan of WASH Block (Type-01)
05	06	Details Plan of WASH Block (Type-02)
06	07 & 08	Elevation
07	09 to 11	Section
08	12 & 13	Details of Septic Tank
09	14	Section of Septic Tank
10	15	Reinforcement Details of Septic Tank Slab
11	16	Details of Inspection and Soak Away Pit
12	17 & 18	Hand Washing Device Details

Following components are modified in this version based on the feedback from the joint visit of DPHE and RRRC:

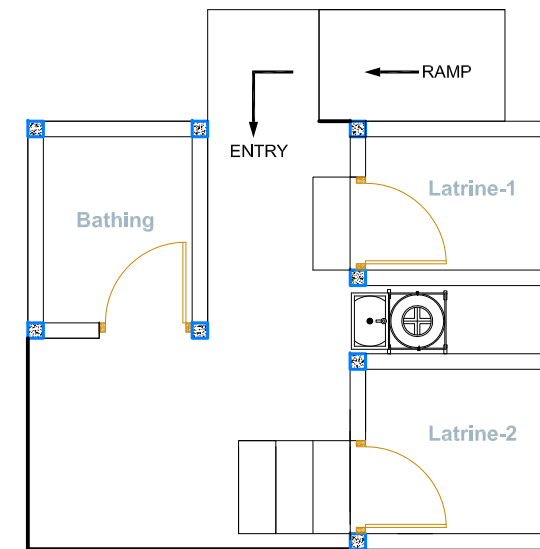
1. In between the gap of roof and plain sheeted wall, need to ensure the mesh screen for all sides of the facility.
2. Need to reduce the length of the wooden frame so that it will not wet during rain and get more longevity.
3. Need to make sure enough space inside the person with disable friendly latrine by rearranging and redesign hand washing device frame as well as the position of handrail.
4. In order to make sure the adequate water pressure in wash jet spray, the height of hand washing device need to be adjusted by consulting with the community so that they can easily reach the top of water storage tank for refilling.
5. Mirror need to be placed in such a way with the wooden frame so that the edge of the mirror frame does not come out.
6. Person with disable friendly latrine column's need to be reduced from 10"x10" to 5"x5" for ensuring more space.
7. Inside the WASH block need to make sure proper slope for runoff drainage water.
8. In the bathing cubicle, the seating platform needs to be closer to the laundry platform and can be of plastic tool and the laundry platform size can be reduced further.
9. The design of the ramp needs to be adjusted further.
10. The placement of the hand washing device can be on top of the soak pit, depending on the site condition when the entrance is not from that end.



Inclusive WASH Block (with Ramp)  
(Type-A)



Inclusive WASH Block (with Ramp)  
(Type-B)



Inclusive WASH Block (with Ramp)  
(Type-C)

**PROJECT TITLE**

Inclusive WASH Block  
with Ramp  
(1 Bathing & 2 Latrine)

**DRAWING TITLE**

Layout of WASH Block

**REVISION**

NO.	DATE
01	02-09-2021

**SCALE:**

Not In Scale

**DATE:**

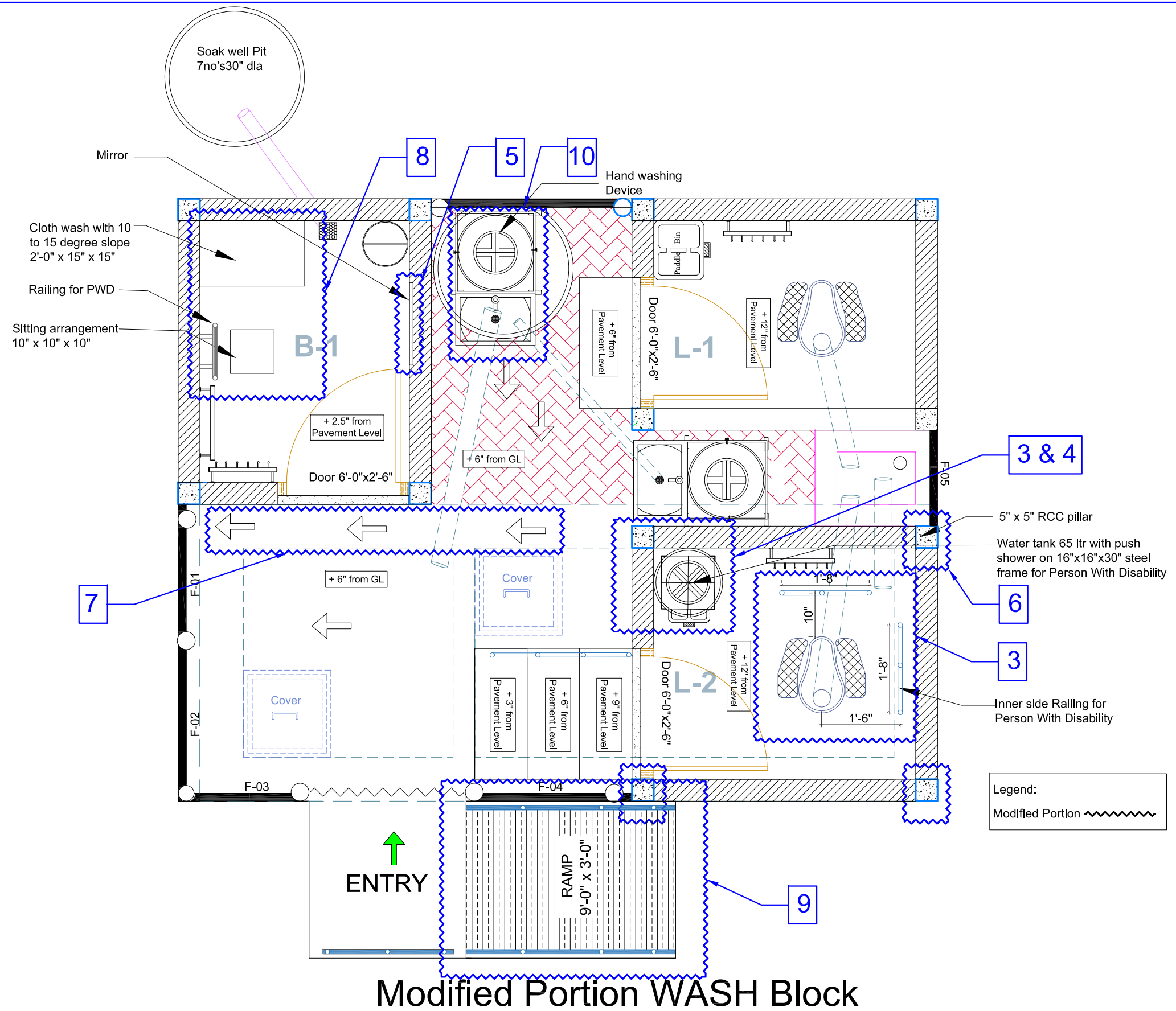
2nd, September,  
2021

**SHEET No:**

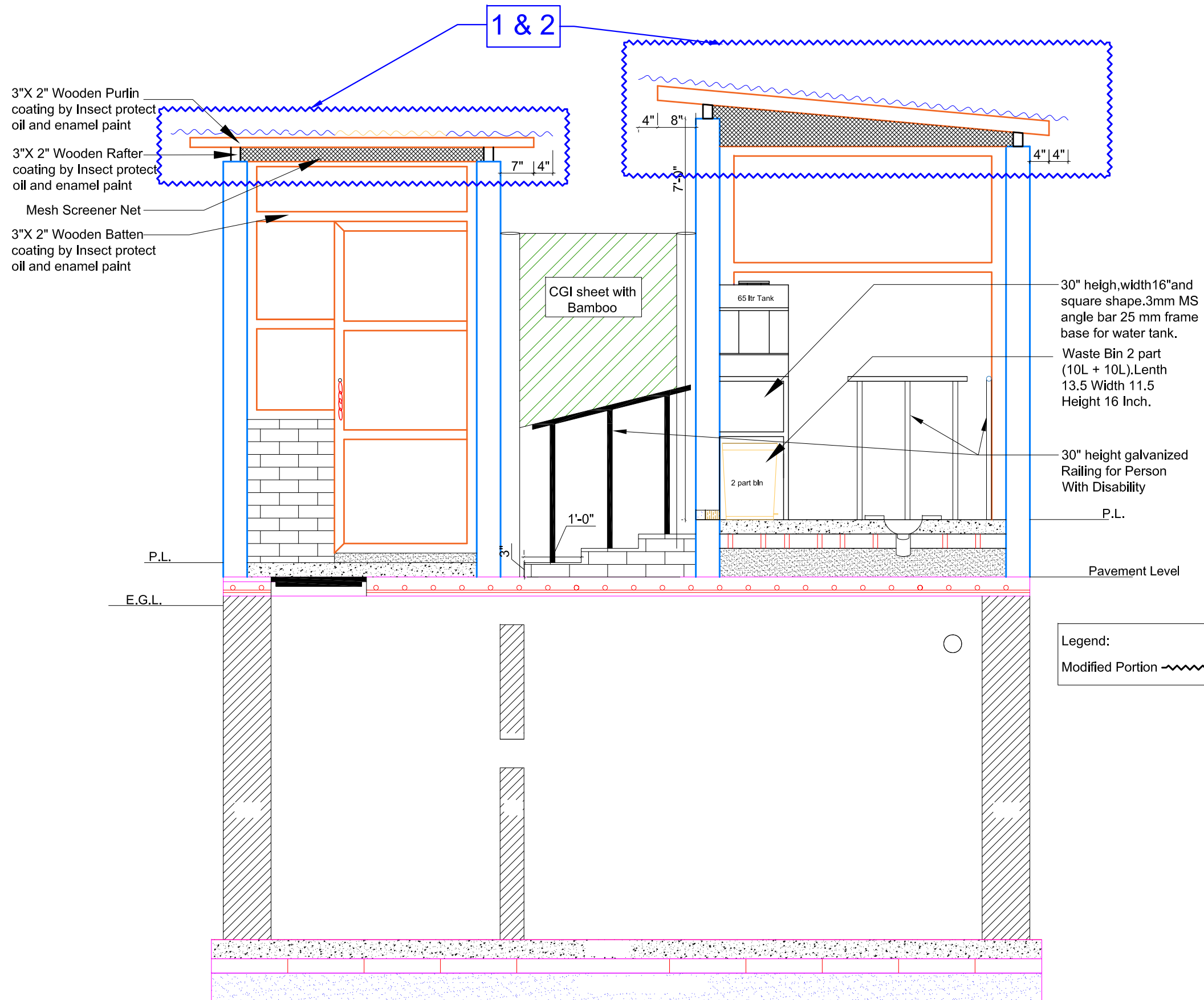
**01**

**LOGO-01**

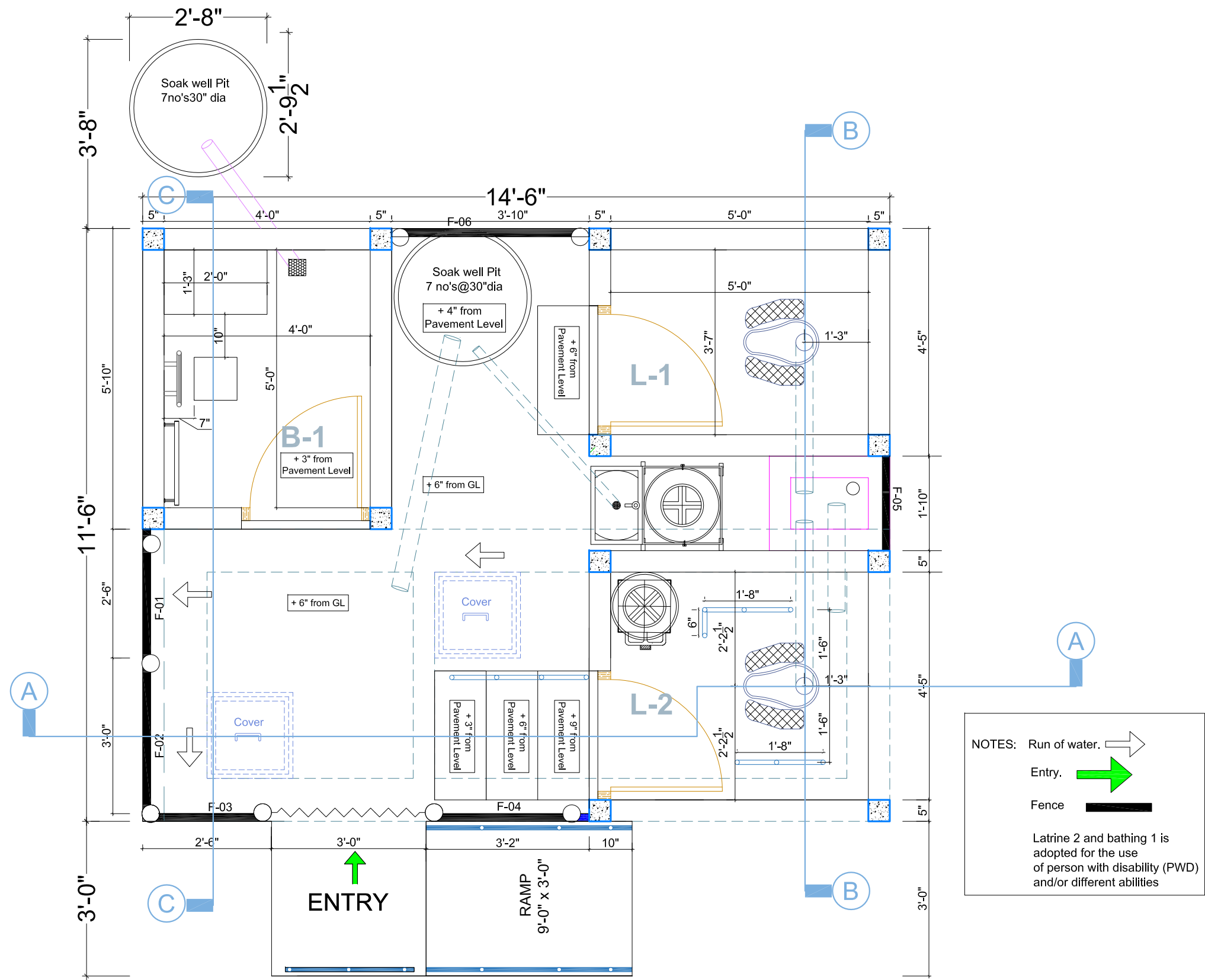
**LOGO-02**



<b>LOGO-01</b>	<b>LOGO-02</b>	<b>PROJECT TITLE</b>	<b>DRAWING TITLE</b>	<b>REVISION</b>		<b>SCALE:</b>	<b>SHEET No:</b>
		Inclusive WASH Block with Ramp (1 Bathing & 2 Latrine)	Modified Portion of WASH Block	NO. 01	DATE 02-09-2021	Not In Scale	
						<b>DATE:</b> 2nd, September, 2021	<b>02</b>

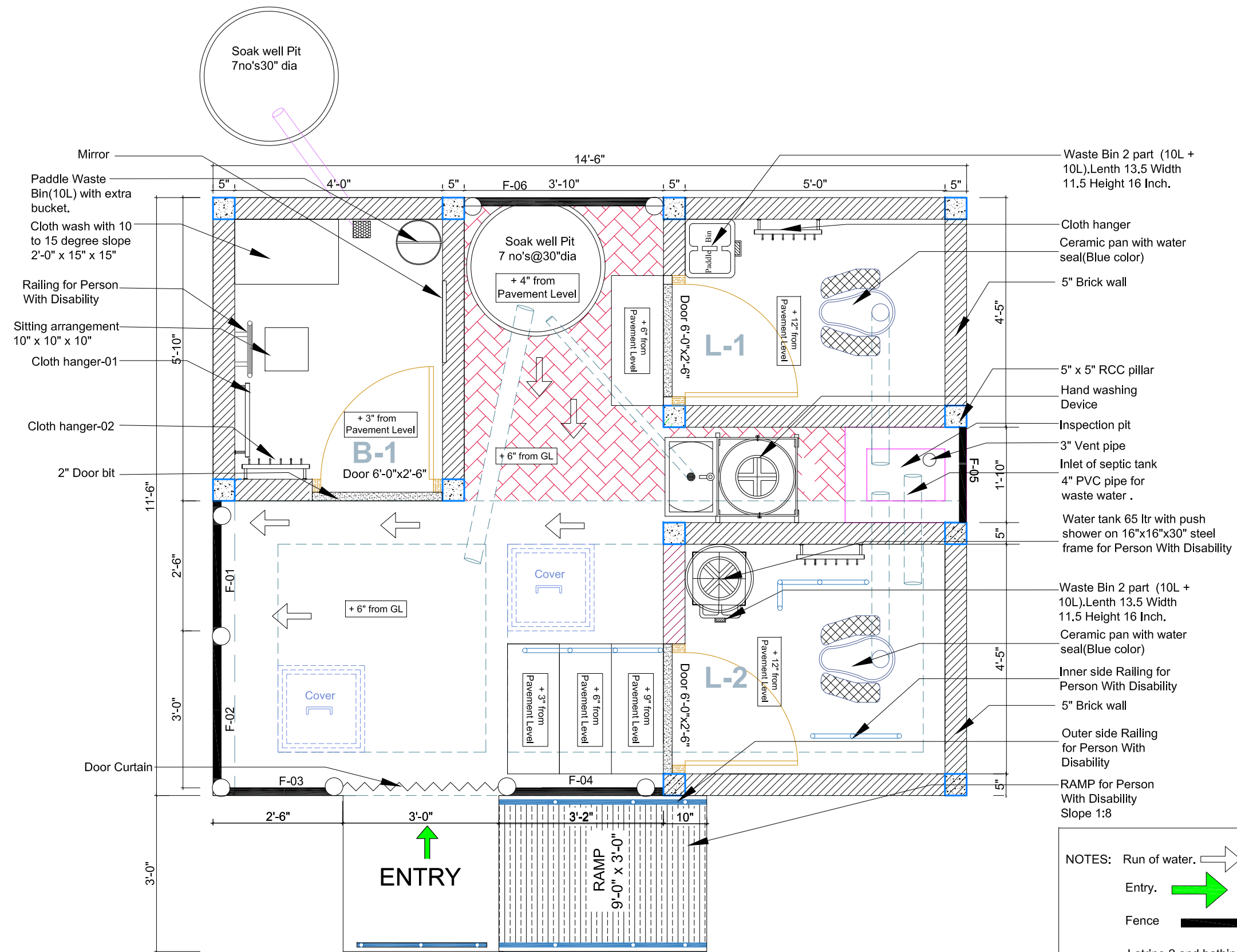


<b>LOGO-01</b>	<b>LOGO-02</b>	<b>PROJECT TITLE</b>	<b>DRAWING TITLE</b>	<b>REVISION</b>		<b>SCALE:</b>	<b>SHEET No:</b>
		Inclusive WASH Block with Ramp (1 Bathing & 2 Latrine)	Modified Portion of WASH Block	NO. 01	DATE 02-09-2021	Not In Scale	
						<b>DATE:</b> 2nd, September, 2021	<b>03</b>



Plan of WASH Block

<b>LOGO-01</b>	<b>LOGO-02</b>	<b>PROJECT TITLE</b>	<b>DRAWING TITLE</b>	<b>REVISION</b>		<b>SCALE:</b> Not In Scale	<b>SHEET No:</b>  <b>04</b>
		Inclusive WASH Block with Ramp (1 Bathing & 2 Latrine)	Plan of WASH Block	NO. 01	DATE 02-09-2021		



**Details Plan of WASH Block (Type-A1)**

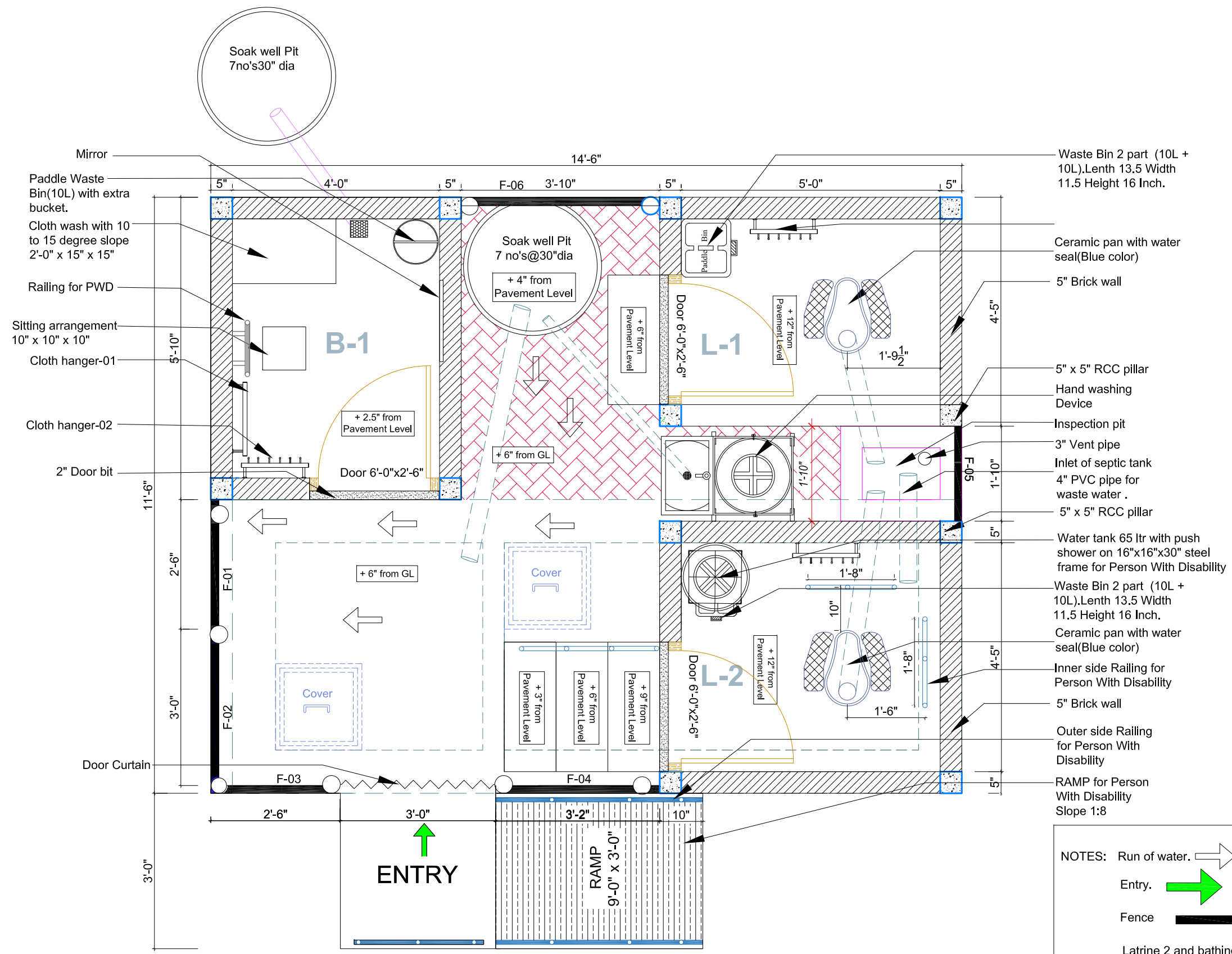
NOTES: Run of water.

Entry.

Fence

Latrine 2 and bathing 1 is adopted for the use of person with disability (PWD) and/or different abilities

<b>LOGO-01</b>	<b>LOGO-02</b>	<b>PROJECT TITLE</b>	<b>DRAWING TITLE</b>	<b>REVISION</b>		<b>SCALE:</b> Not In Scale	<b>SHEET No:</b>  <b>05</b>
		Inclusive WASH Block with Ramp (1 Bathing & 2 Latrine)	Details Plan of WASH Block (Type-A1)	NO. 01	DATE 02-09-2021		



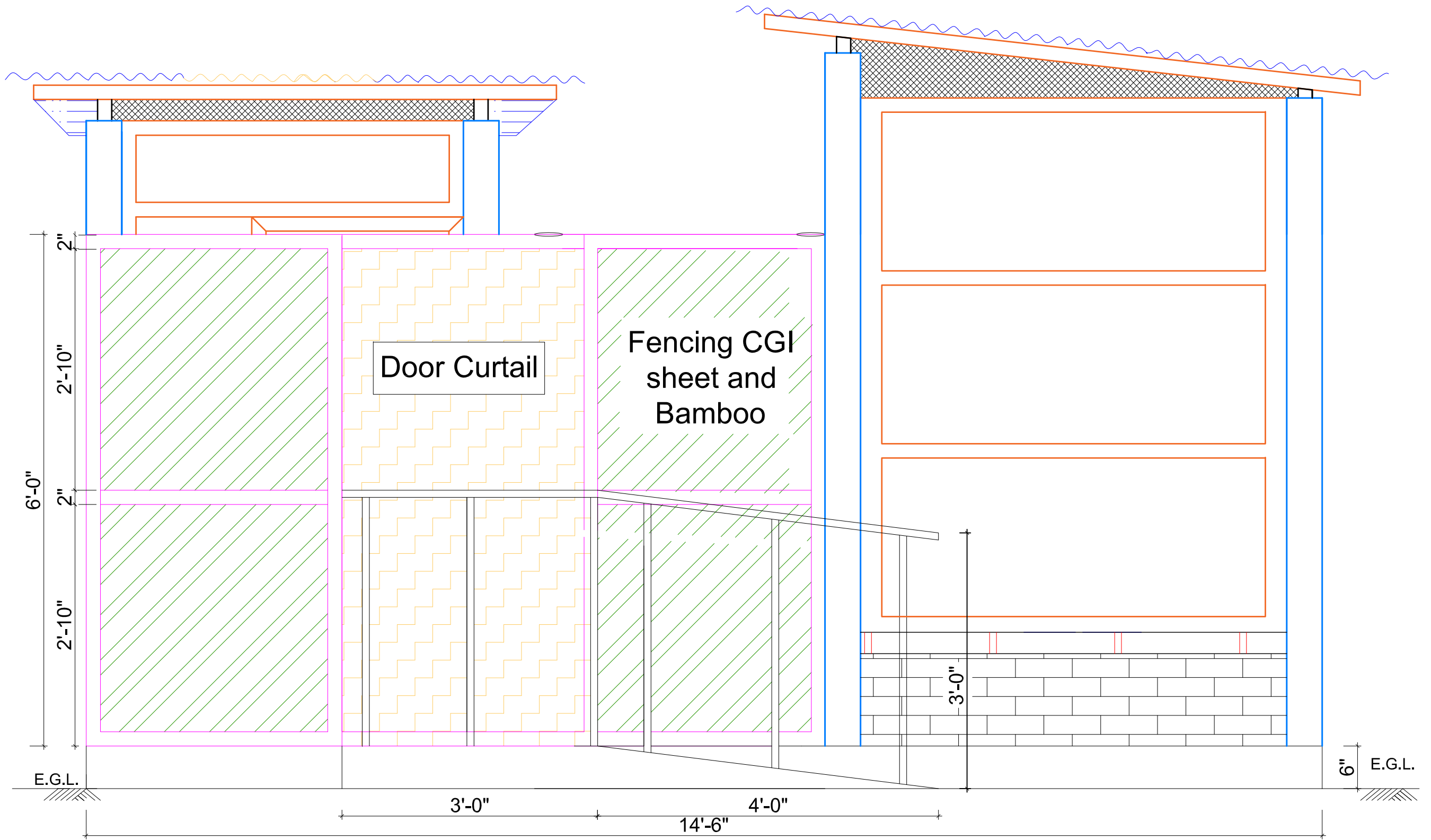
**NOTES:** Run of water. →  
 Entry. →  
 Fence ———

Latrine 2 and bathing 1 is adopted for the use of person with disability (PWD) and/or different abilities

**Details Plan of WASH Block (Type-A2)**

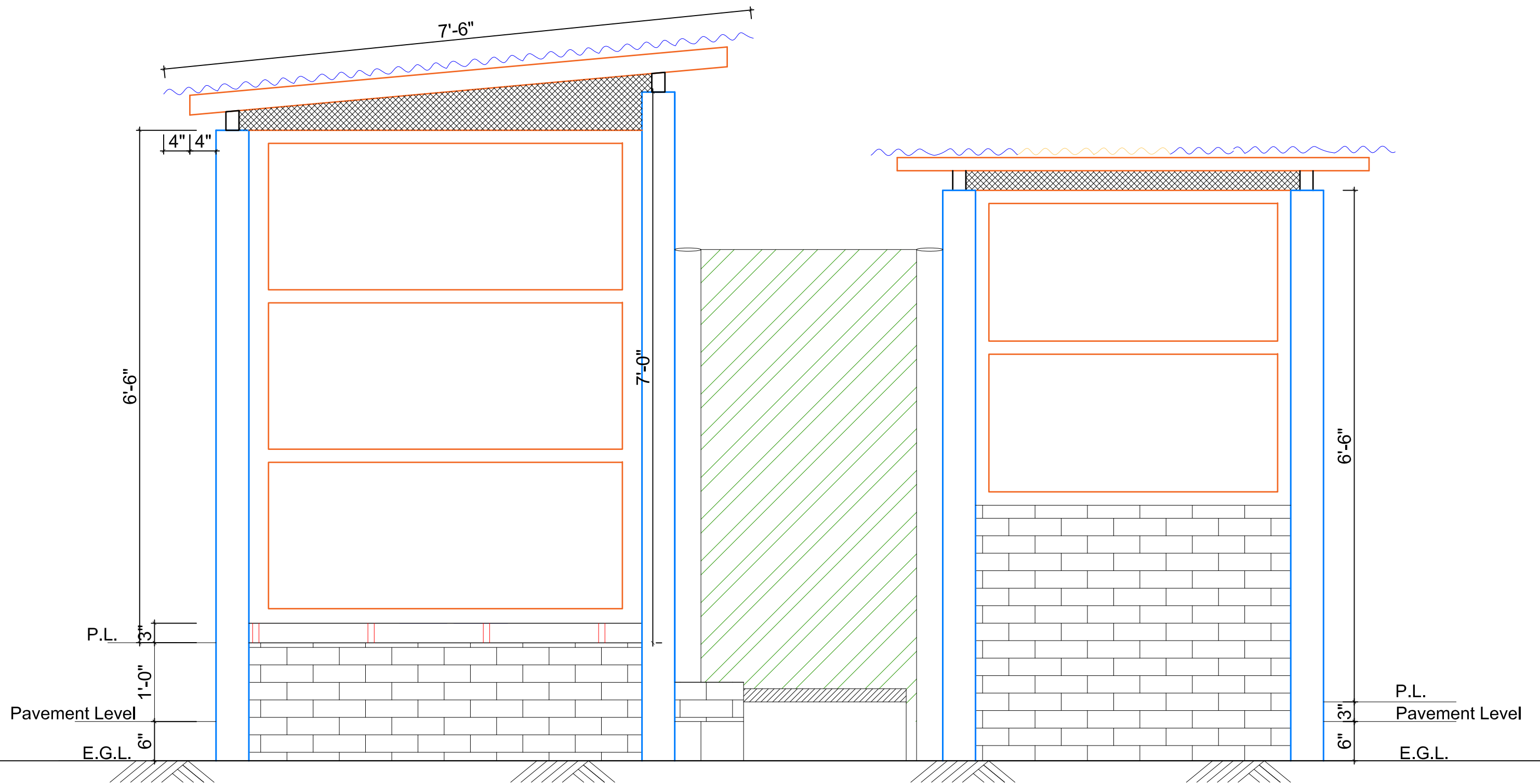
<b>LOGO-01</b>	<b>LOGO-02</b>	<b>PROJECT TITLE</b>	<b>DRAWING TITLE</b>	<b>REVISION</b>	<b>SCALE:</b>	<b>SHEET No:</b>
		Inclusive WASH Block with Ramp (1 Bathing & 2 Latrine)	Details Plan of WASH Block (Type-A2)	NO. DATE 01 02-09-2021	Not In Scale	
					<b>DATE:</b> 2nd, September, 2021	<b>06</b>





# Front Elevation

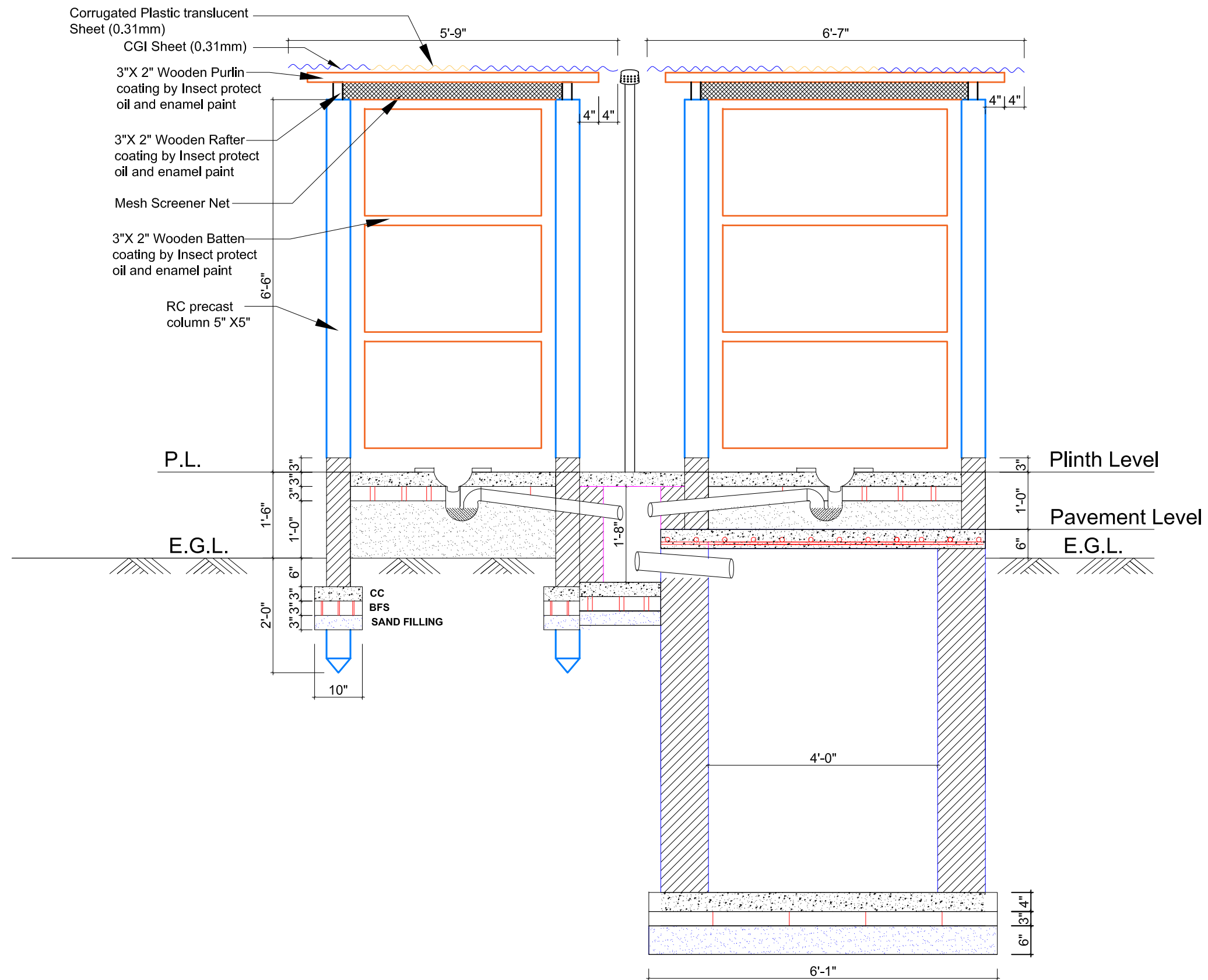
LOGO-01	LOGO-02	PROJECT TITLE	DRAWING TITLE	REVISION		SCALE:	SHEET No: <b>07</b>
		Inclusive WASH Block with Ramp (1 Bathing & 2 Latrine)	Elevation	NO. 01	DATE 02-09-2021	Not In Scale	



## Back Elevation

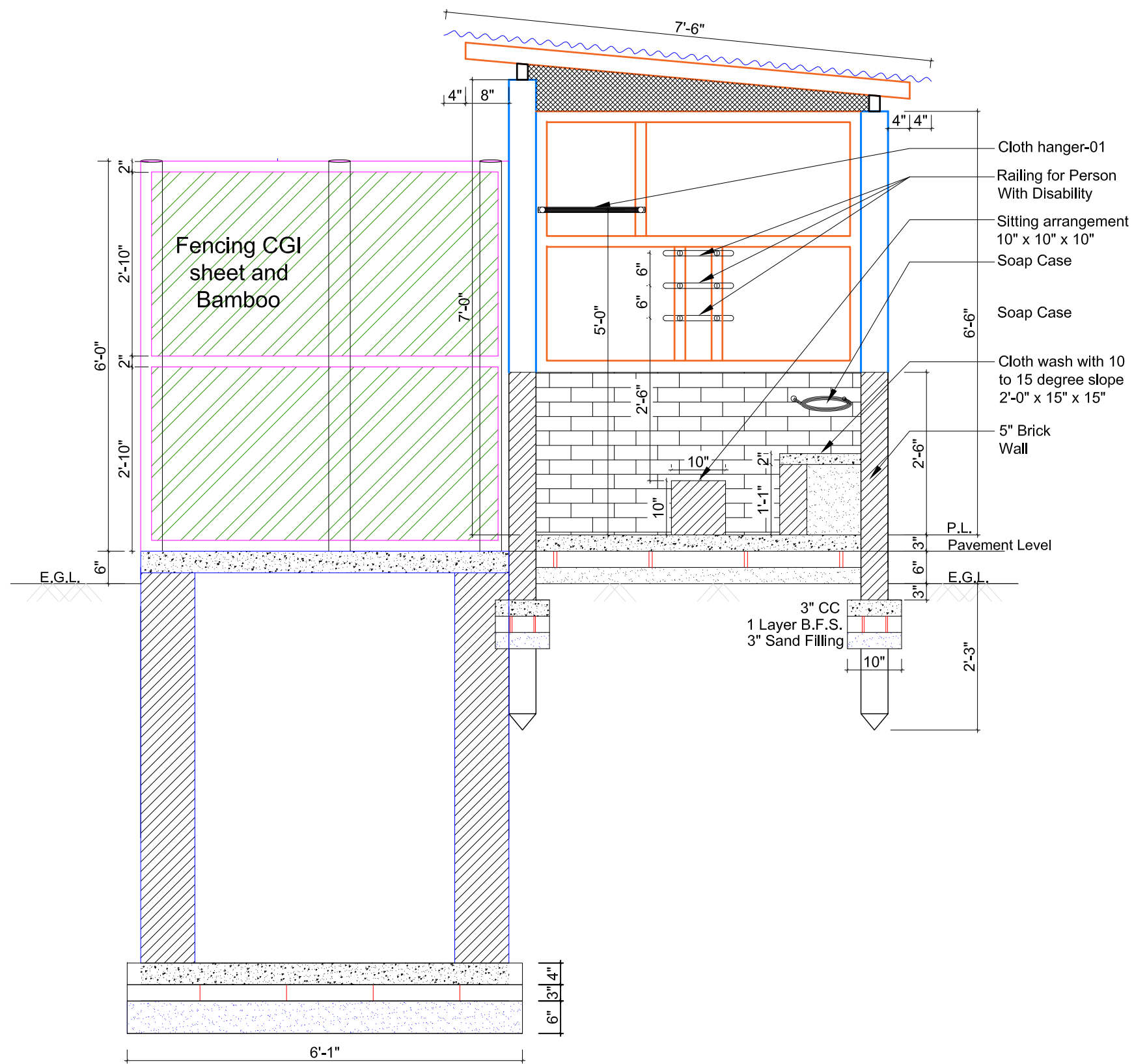
<b><u>LOGO-01</u></b>	<b><u>LOGO-02</u></b>	<b>PROJECT TITLE</b>	<b>DRAWING TITLE</b>	<b>REVISION</b>		<b>SCALE:</b> Not In Scale	<b>SHEET No:</b>
		Inclusive WASH Block with Ramp (1 Bathing & 2 Latrine)	Elevation	NO. 01	DATE 02-09-2021	<b>DATE:</b> 2nd, September, 2021	<b>08</b>





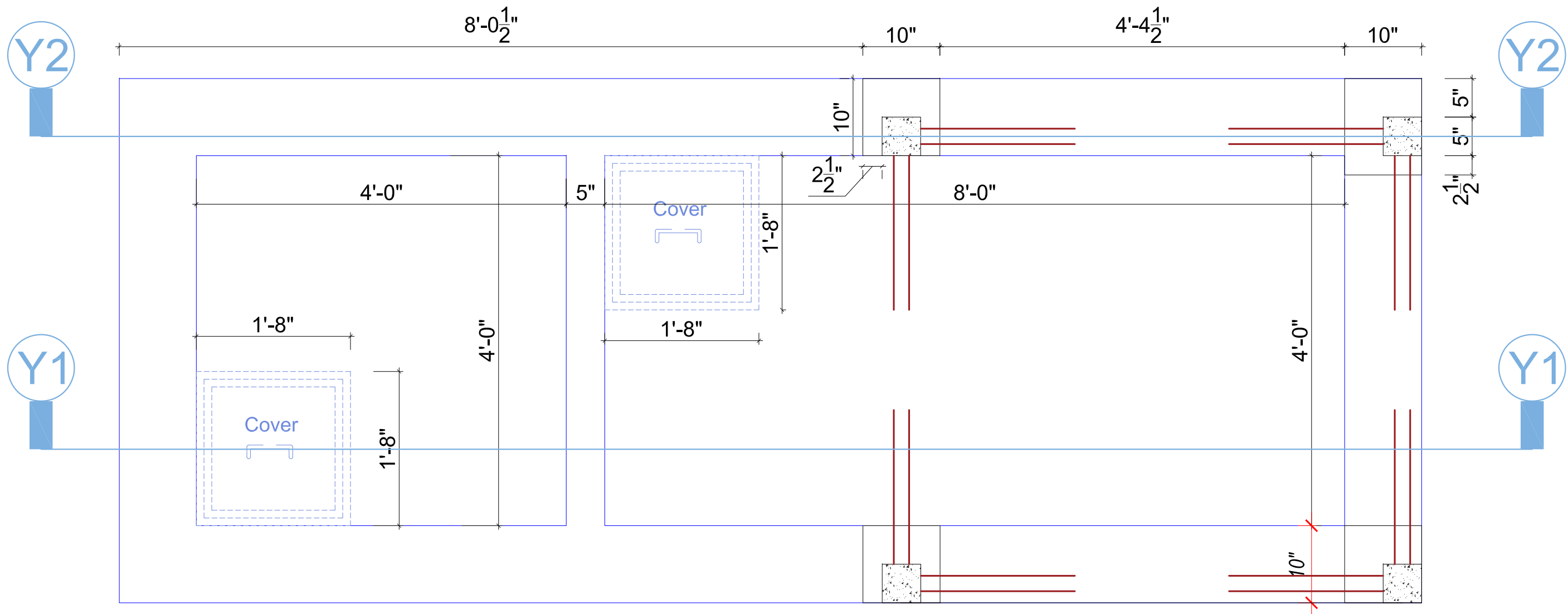
Section- (B-B)

<b>LOGO-01</b>	<b>LOGO-02</b>	<b>PROJECT TITLE</b>	<b>DRAWING TITLE</b>	<b>REVISION</b>		<b>SCALE:</b>	<b>SHEET No:</b>
		Inclusive WASH Block with Ramp (1 Bathing & 2 Latrine)	Section	NO.	DATE	Not In Scale	
				01	02-09-2021	<b>DATE:</b>	<b>10</b>
						2nd, September,	
						2021	



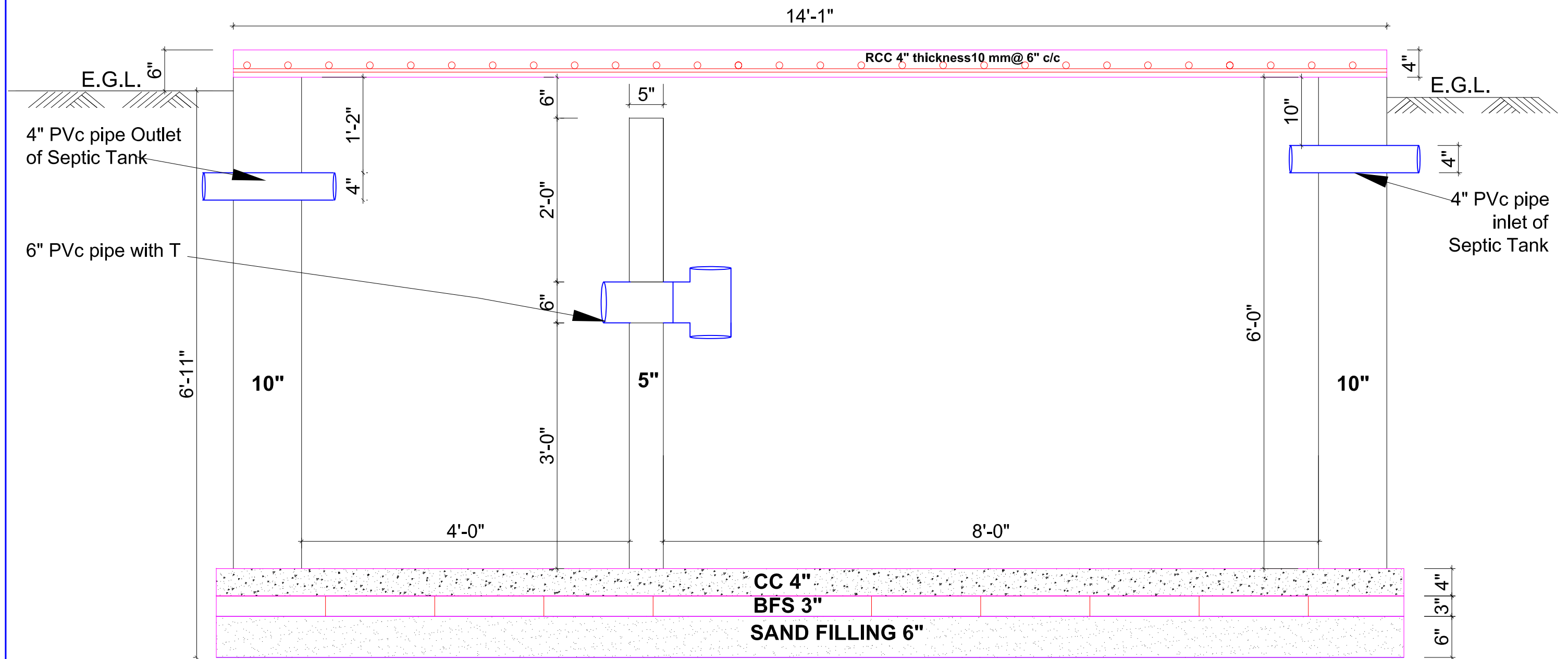
**Section- (C-C)**

<b>LOGO-01</b>	<b>LOGO-02</b>	<b>PROJECT TITLE</b>	<b>DRAWING TITLE</b>	<b>REVISION</b>		<b>SCALE:</b>	<b>SHEET No:</b>
		Inclusive WASH Block with Ramp (1 Bathing & 2 Latrine)	Section	NO.	DATE	Not In Scale	
				01	02-09-2021	<b>DATE:</b>	<b>11</b>
						2nd, September,	
						2021	



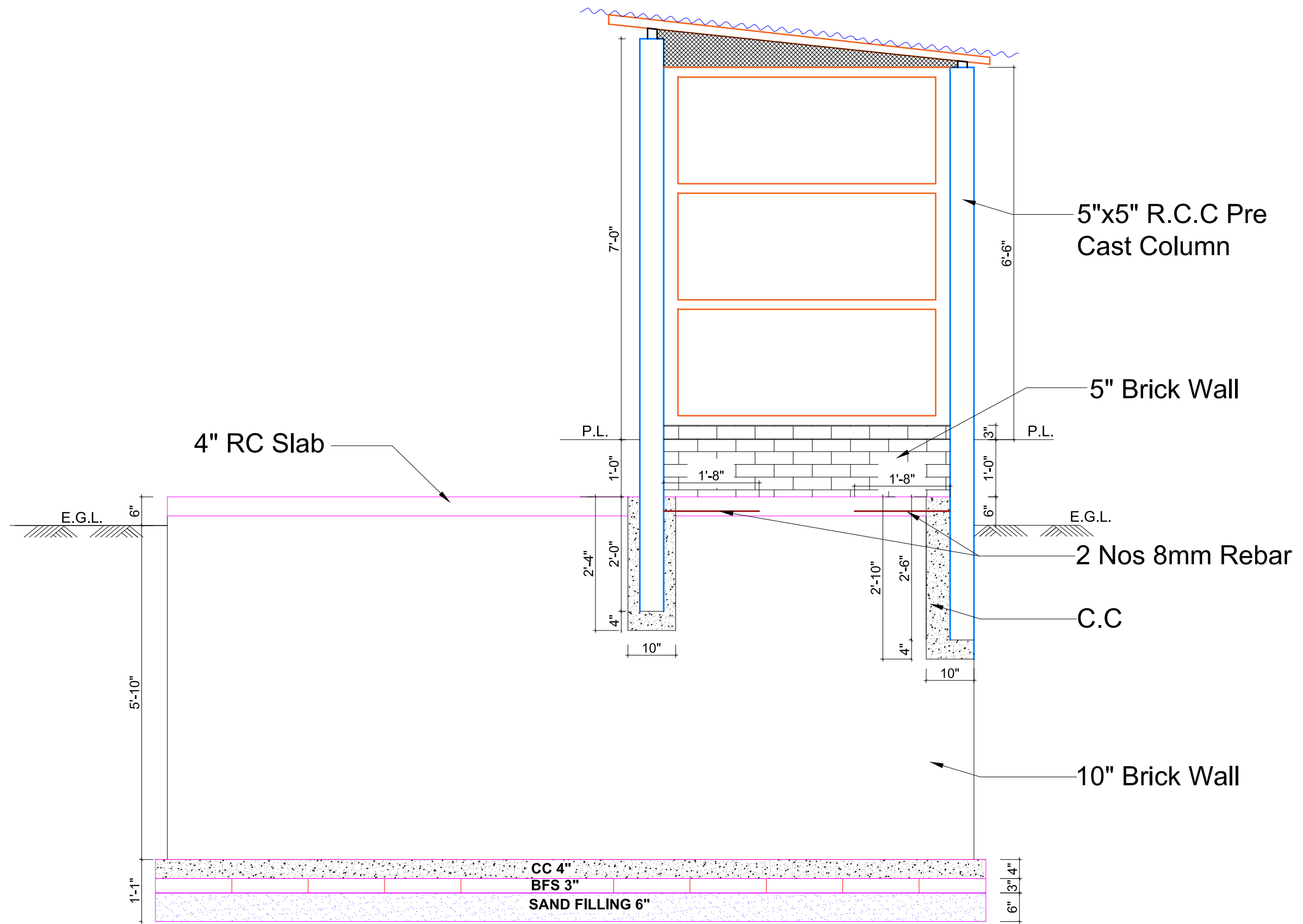
Detail of Septic Tank

<b><u>LOGO-01</u></b>	<b><u>LOGO-02</u></b>	<b>PROJECT TITLE</b>	<b>DRAWING TITLE</b>	<b>REVISION</b>		<b>SCALE:</b> Not In Scale	<b>SHEET No:</b>  <b>12</b>
		Inclusive WASH Block with Ramp (1 Bathing & 2 Latrine)		Detail of Septic Tank	NO. 01		



SECTION(Y1-Y1)

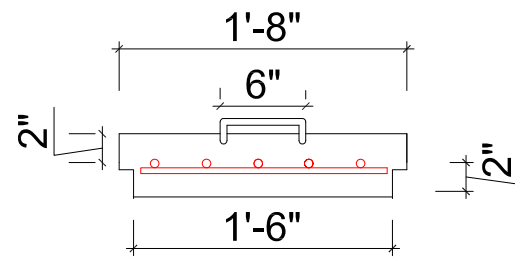
<b>LOGO-01</b>	<b>LOGO-02</b>	<b>PROJECT TITLE</b>	<b>DRAWING TITLE</b>	<b>REVISION</b>		<b>SCALE:</b>	<b>SHEET No:</b>
		Inclusive WASH Block with Ramp (1 Bathing & 2 Latrine)	Section of Septic Tank	NO. 01	DATE 02-09-2021	Not In Scale	
						<b>DATE:</b> 2nd, September, 2021	<b>13</b>



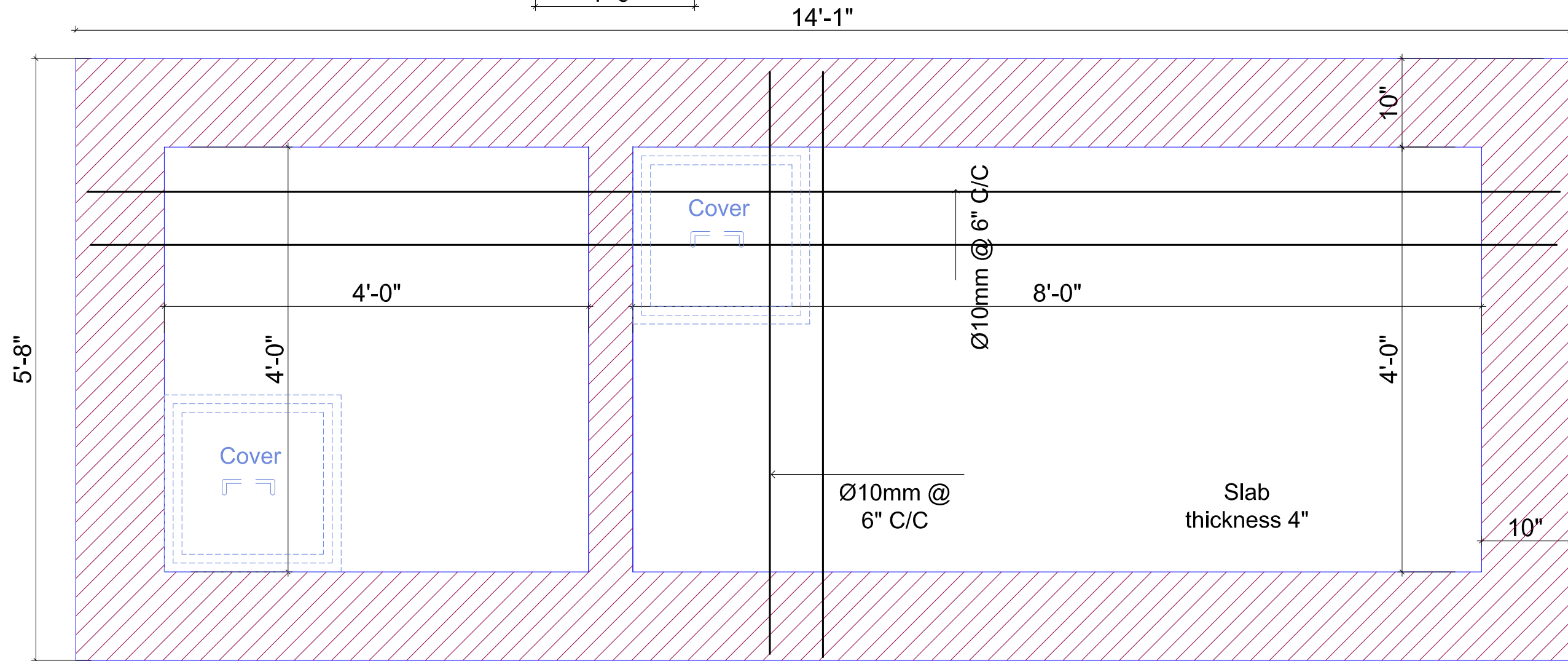
SECTION (Y2-Y2)

<b>LOGO-01</b>	<b>LOGO-02</b>	<b>PROJECT TITLE</b>	<b>DRAWING TITLE</b>	<b>REVISION</b>		<b>SCALE:</b> Not In Scale	<b>SHEET No:</b>  <b>14</b>
		Inclusive WASH Block with Ramp (1 Bathing & 2 Latrine)	Section of Septic Tank	NO. 01	DATE 02-09-2021	<b>DATE:</b> 2nd, September, 2021	



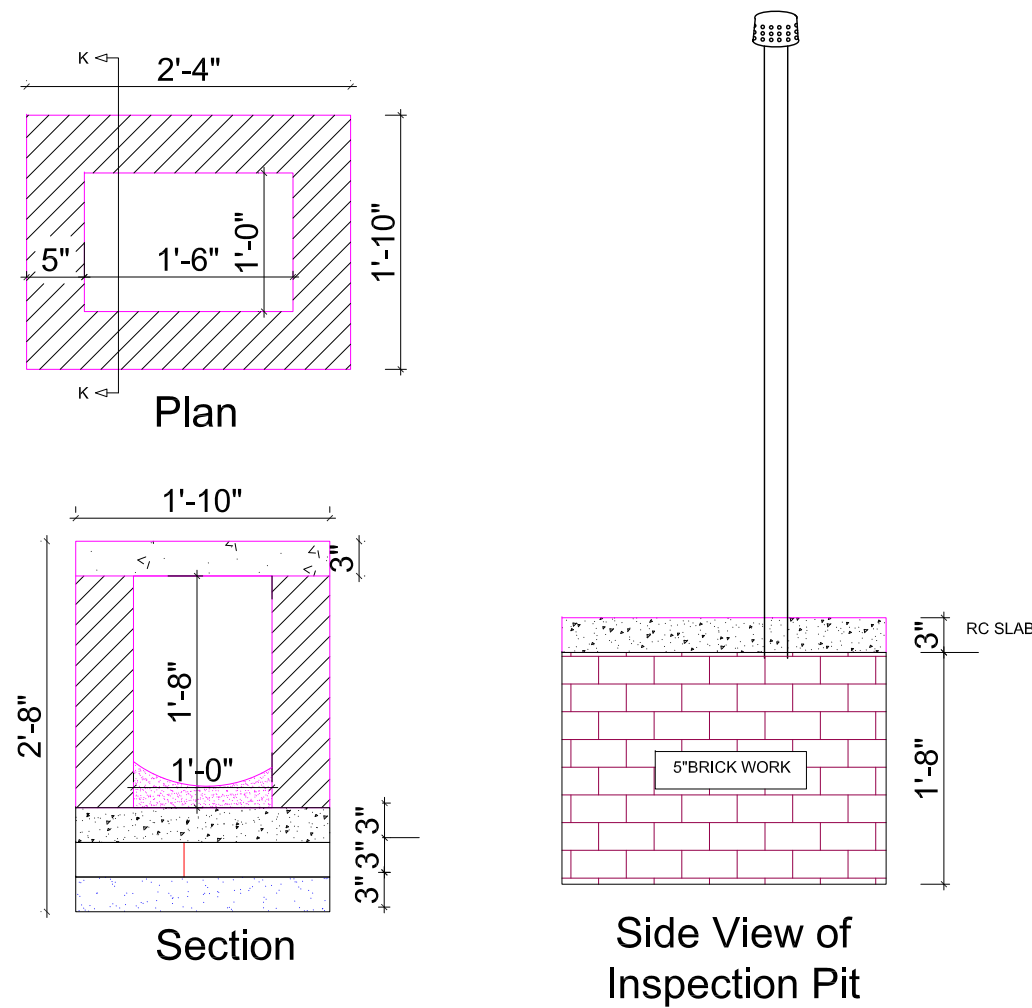


- NOTES:**
1. COMPRESSIVE STRENGTH OF CONCRETE ( $f_c$ ) IS 3000 PSI
  2. YIELD STRENGTH OF REBAR ( $f_y$ ) IS 60,000 PSI
  3. USING 20MM DOWN GRADED BRICK CHIPS AND SAND (FM=2.2)
  4. MIXING RATIO - 1:1.5:3

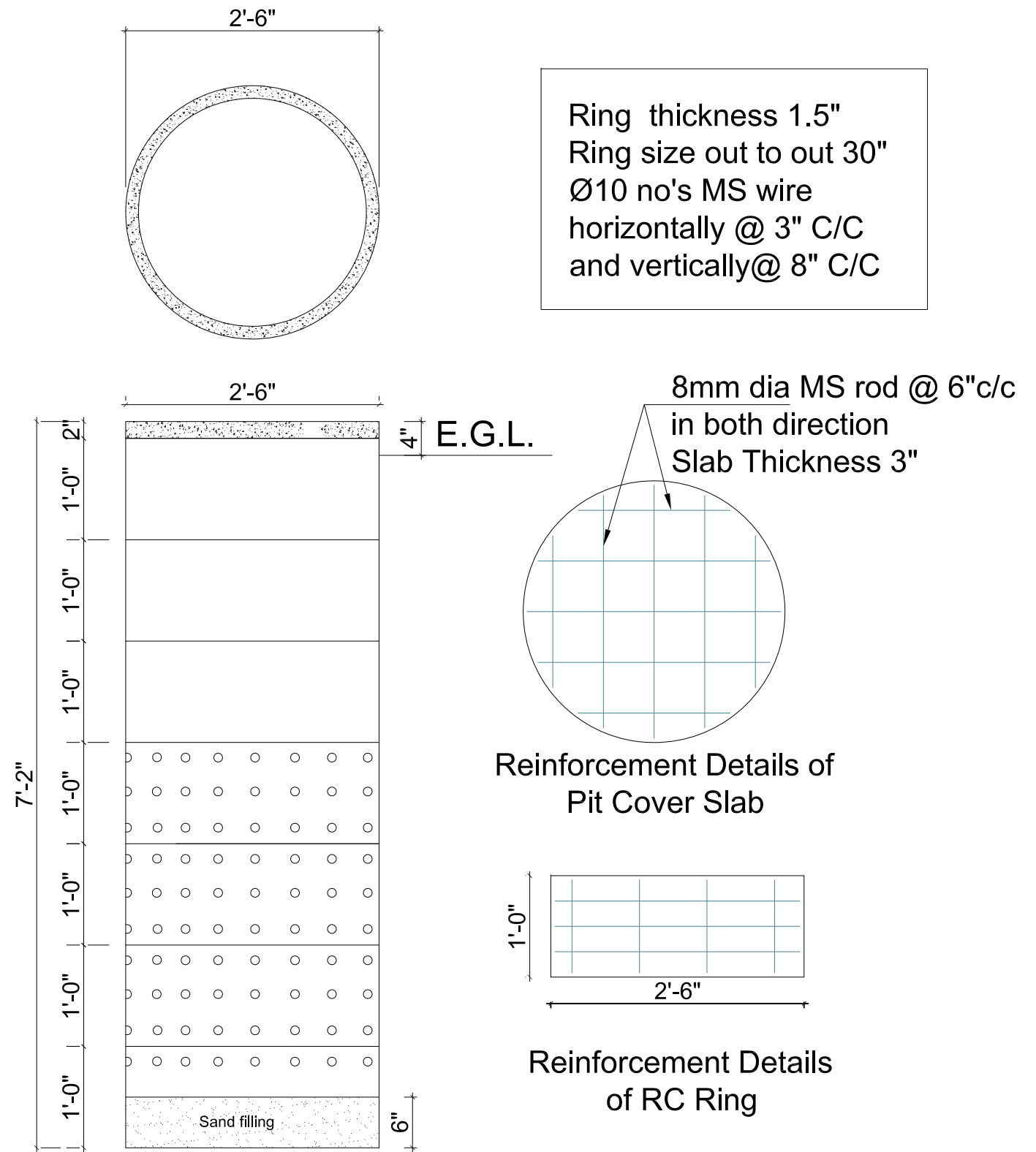


### Reinforcement Details of Septic Tank Slab

<b>LOGO-01</b>	<b>LOGO-02</b>	<b>PROJECT TITLE</b>	<b>DRAWING TITLE</b>	<b>REVISION</b>		<b>SCALE:</b>	<b>SHEET No:</b>  <b>15</b>
		Inclusive WASH Block with Ramp (1 Bathing & 2 Latrine)	Reinforcement Details of Septic Tank Slab	NO. 01	DATE 02-09-2021	Not In Scale	

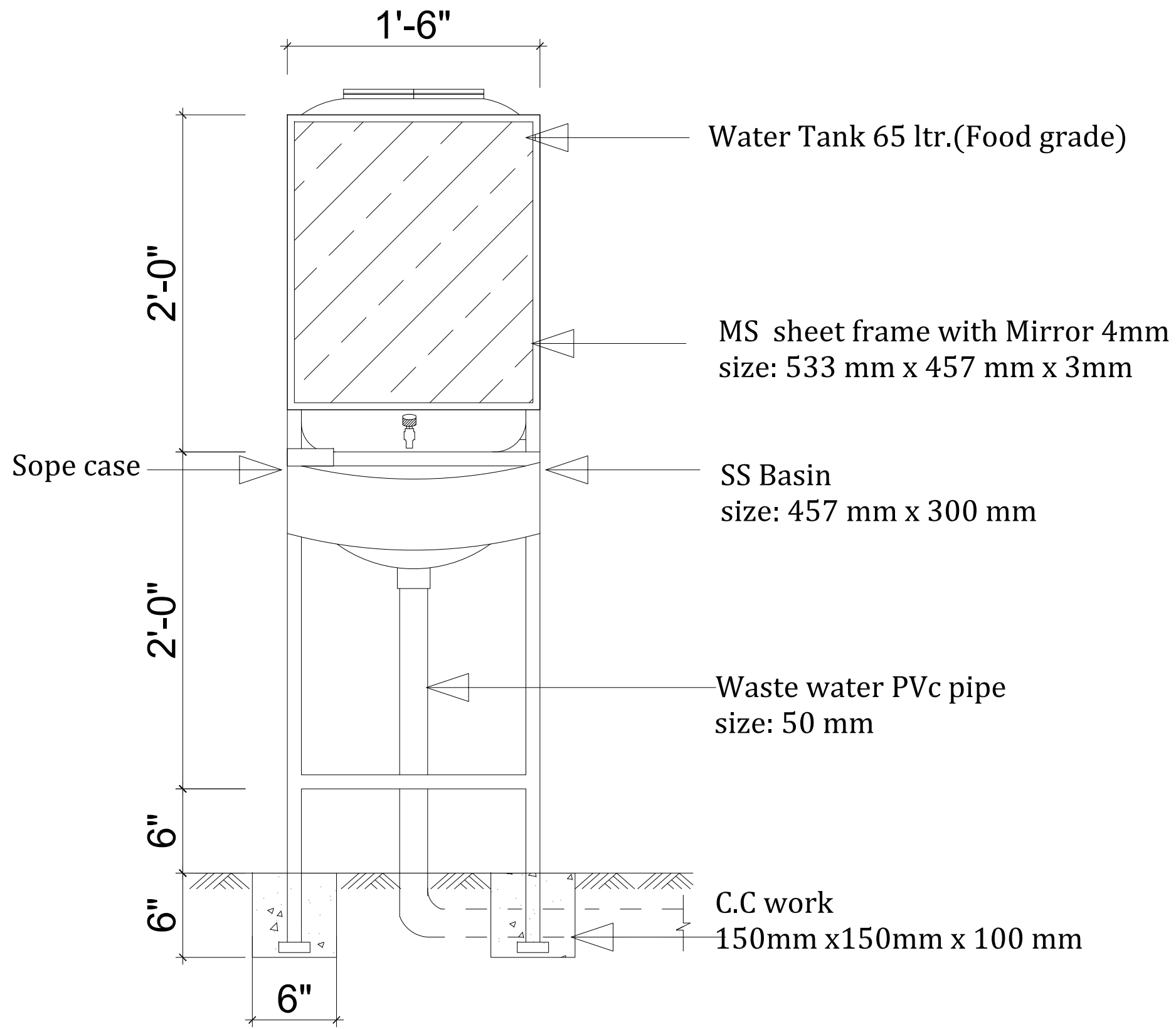


**Inspection Pit Details**

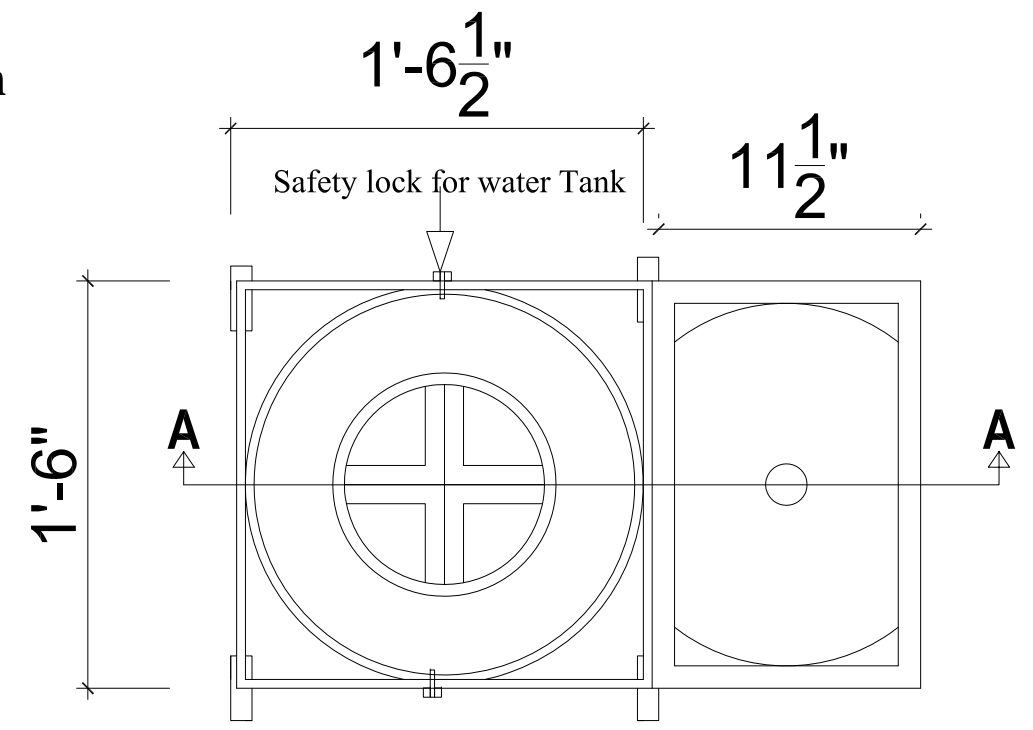


**Soak Away Pit Details**

<b>LOGO-01</b>	<b>LOGO-02</b>	<b>PROJECT TITLE</b>	<b>DRAWING TITLE</b>	<b>REVISION</b>		<b>SCALE:</b>	<b>SHEET No:</b>
		Inclusive WASH Block with Ramp (1 Bathing & 2 Latrine)	Details of Inspection and Soak Away Pit	NO. 01	DATE 02-09-2021	Not In Scale	
						<b>DATE:</b> 2nd, September, 2021	<b>16</b>

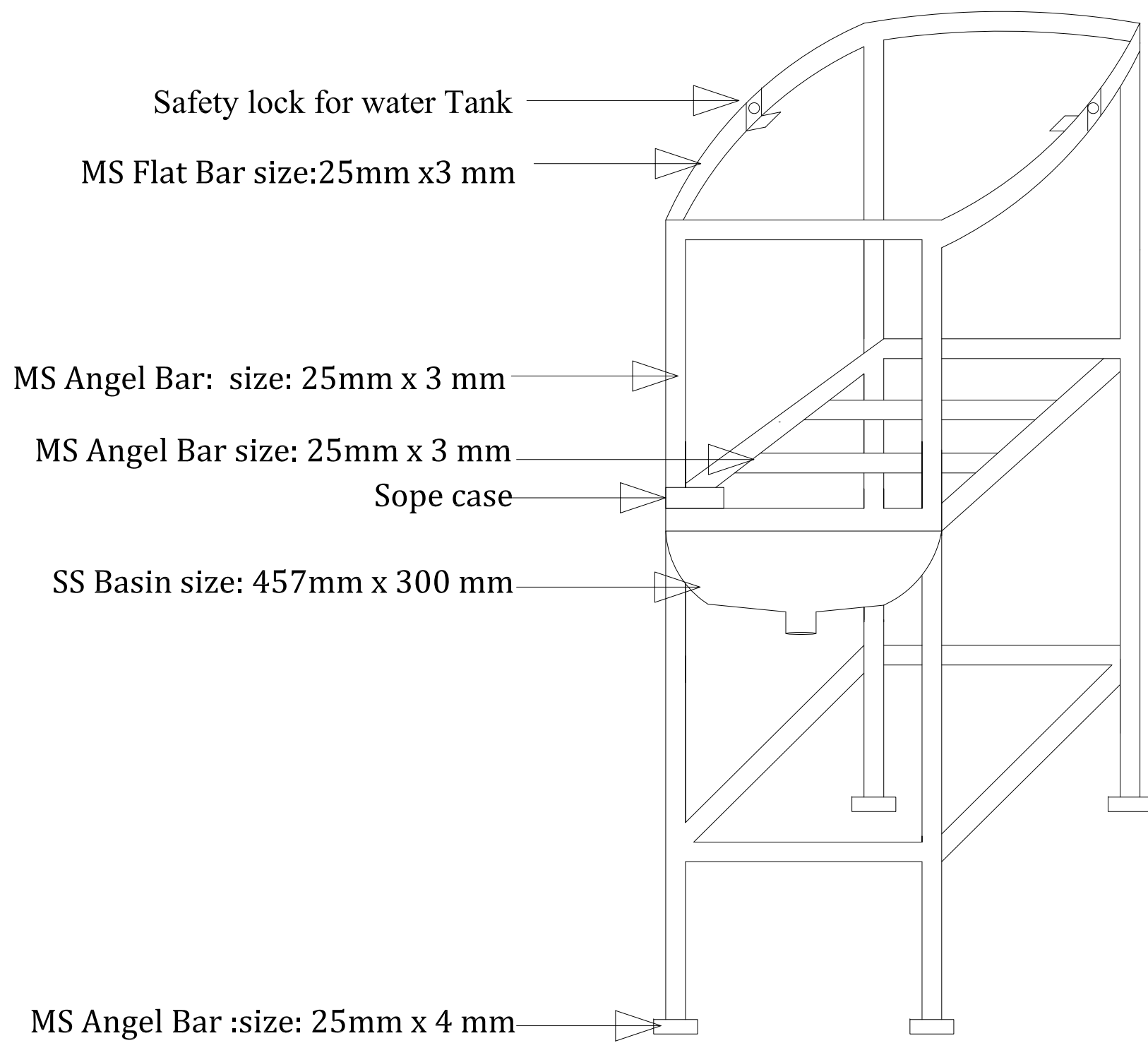


FRONT ELEVATION

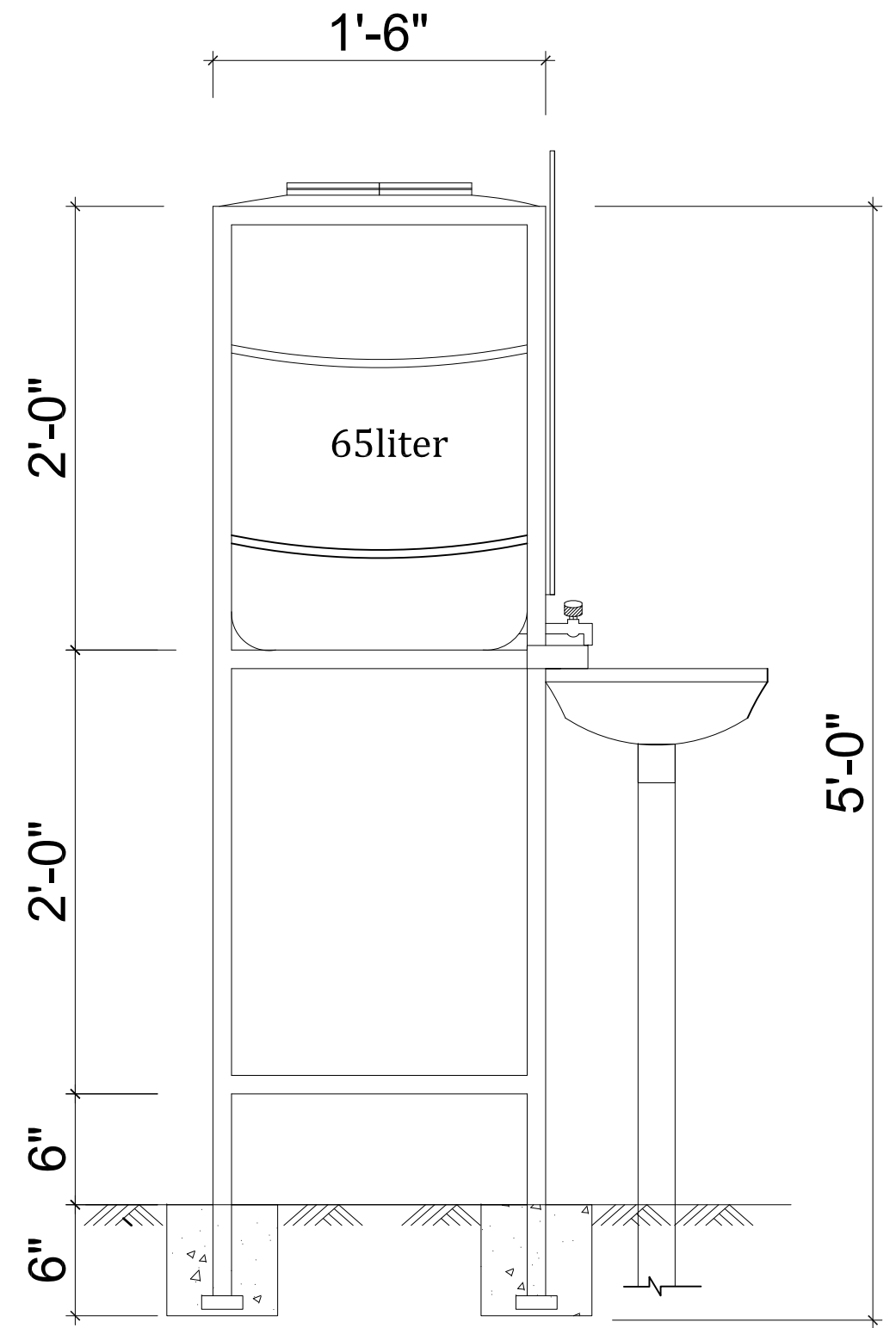


PLAN OF HAND WASHING DEVICE

<b>LOGO-01</b>	<b>LOGO-02</b>	<b>PROJECT TITLE</b>	<b>DRAWING TITLE</b>	<b>REVISION</b>		<b>SCALE:</b>	<b>SHEET No:</b>
		Inclusive WASH Block with Ramp (1 Bathing & 2 Latrine)	Hand Washing Device Details	NO. 01	DATE 02-09-2021	Not In Scale	
						<b>DATE:</b> 2nd, September, 2021	<b>17</b>



DETAILS OF HAND WASHING DEVICE



SECTION (A-A)

<b><u>LOGO-01</u></b>	<b><u>LOGO-02</u></b>	<b>PROJECT TITLE</b>	<b>DRAWING TITLE</b>	<b>REVISION</b>		<b>SCALE:</b> Not In Scale	<b>SHEET No:</b>
		Inclusive WASH Block with Ramp (1 Bathing & 2 Latrine)	Hand Washing Device Details	NO. 01	DATE 02-09-2021	<b>DATE:</b> 2nd, September, 2021	<b>18</b>