



PROJECT

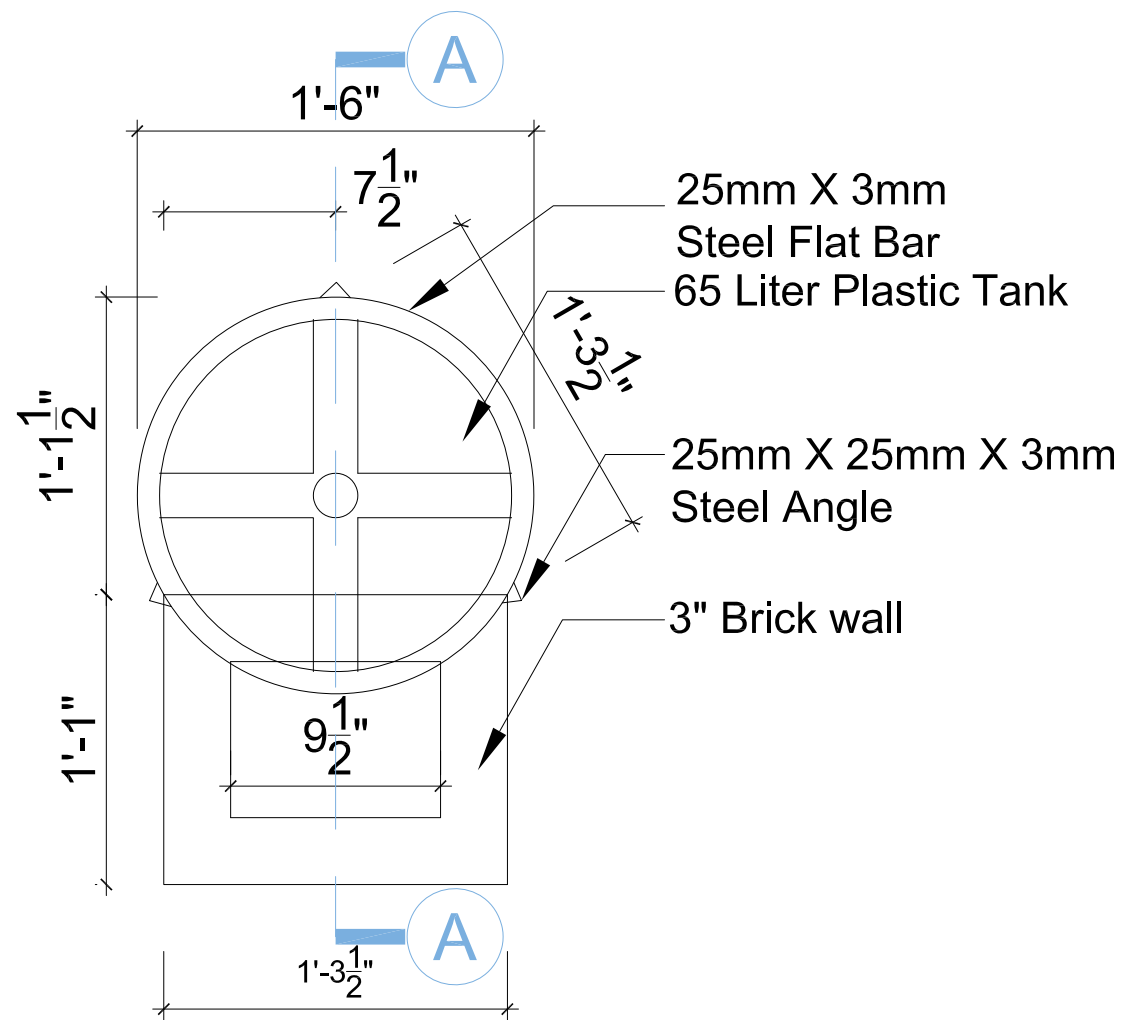
**DESIGN AND DRAWING of UNIFIED HAND
WASHING STATION**

STEEL FRAME HAND WASHING STATION

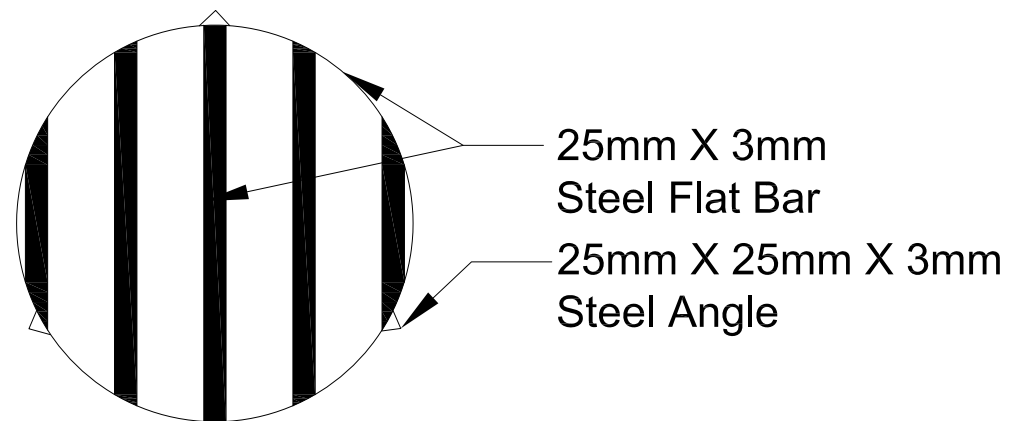
MARCH, 2023

PREPARED By:

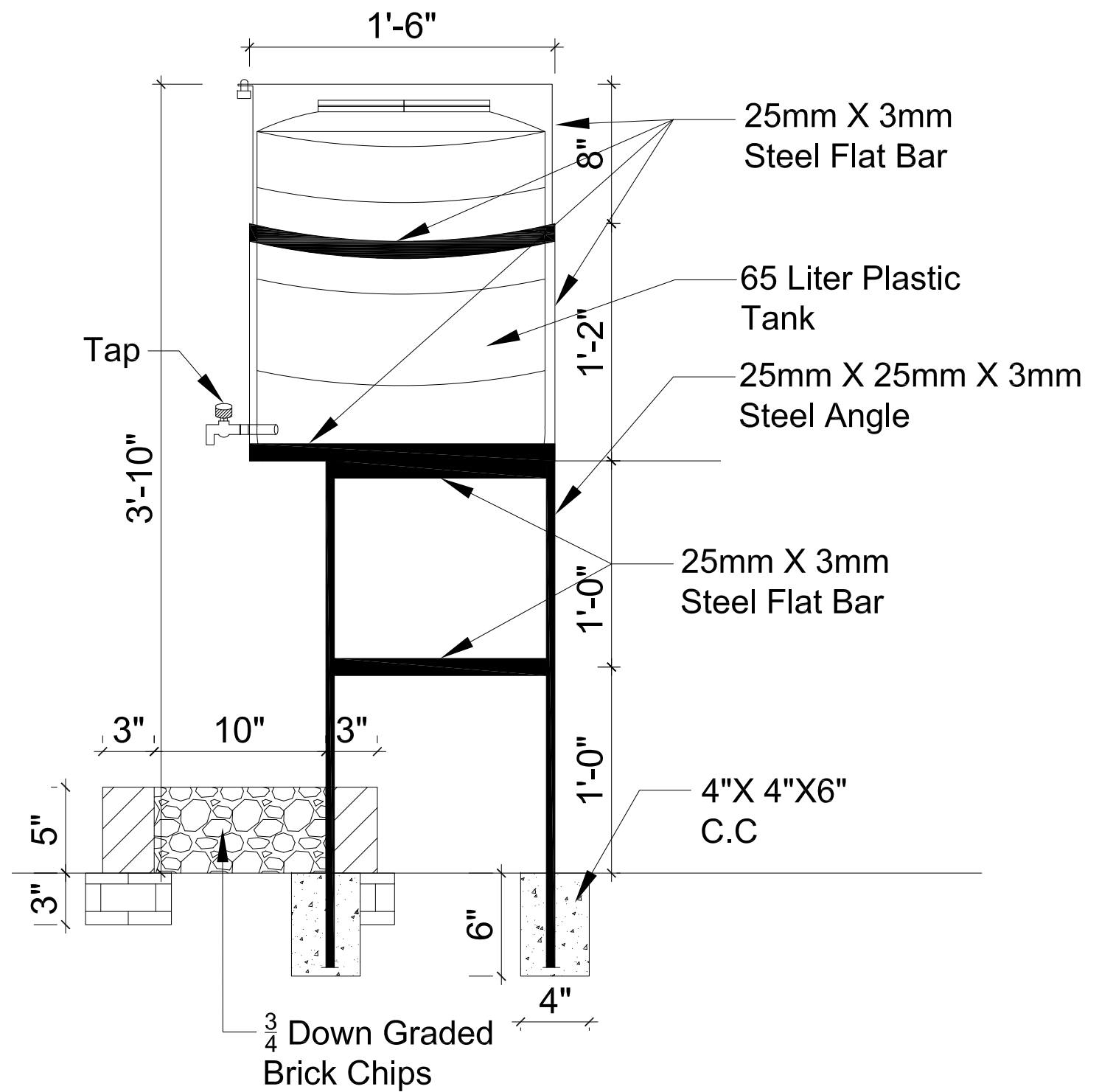
**DESIGN WORKING GROUP,
WASH SECTOR, COX'S BAZAR**



PLAN VIEW



Water Tank Base



SECTION (A-A)

	Project	Model:	Design by:	Drawing Title	Date	Approved by	Page
	Design and Drawing of Unified Hand Washing Station	Steel Frame Hand Washing Station	Design Working Group	Plan & Section	March, 2023	WASH Sector	01

Bill of Quantities
Steel Frame Hand Washing Station

SI No	Description of Item	Quantity	Unit	Unit Price	Total Amount
				BDT	BDT
1	Site Preparation & Earth Excavation : 3" Earth work in excavation of foundation , carrying and disposing of all excavated materials at a safe distance designated by the EIC, all types of soil except rocky gravelly, organic maintains proper slope, disposing of all back filling of sites of all excavated materials to a safe distance back filling of sites of original level etc, all complete to the direction of the EIC.	1.00	job	70	70
2	CC Work: CC casting in the base of steel frame [recommended mixing proportion 1:2:4] using picked jhama chips, including supply, screening, washing, mixing, laying, compacting to levels and curing for at least 7 days including the supply of water, electricity and other charges and costs of tools and plants etc. all complete and accepted by the Engineer in-charge.	0.01	cum	7,817	39
3	3" Brick Wall : 5" thick brick wall in Base of latrine finishing construction with first class bricks and cement mortar (1:4) and making bond with partition walls and properly raking out of joints between bricks, including necessary cleaning and soaking the bricks for at least 24 hours before use and screening. The work includes scaffolding, site cleaning, water carrying, electricity, curing at least for 7 days and other necessary charges. All work complete as per design and instruction of Engineer in-charge.	0.22	sqm	1,155	255
4	Brick Flat Soling : One layer of brick flat soling in latrine floor with first class or picked jhama bricks including preparation of bed and filling the interstices with local coarse sand, cover the brick-soling with polythene sheeting, complete and accepted by the Engineer in-charge.	0.15	sqm	515	76
5	Plastering & Net finishing : Minimum 12 mm thick cement plastering using mortar ratio (1:4) including skirting plastering at floor, inner surface and outer surface, finishing the corner, kobra & top-surface of wall. the work includes screening of sand cleaning the surface, scaffolding and curing at least for 7 days, water/electricity/other charges and as per drawing and instruction of the Engineer in-charge.	0.24	sqm	289	70
6	Steel Frame: Fabricating, supplying, fitting and fixing of hand washing device frame made with 25mmx25mmx3mm M.S angle & 25mmx3mm flat bar including painting, welding, riveting and transporting to the location all completed as per drawing & accepted by the EIC.	1.00	nos	2,200	2200
7	Plastic Water Tank: Supplying, fitting and fixing good quality 65 liter plastic tank	1.00	nos	1,100	1100
8	Other Supplies & Accessories fitting, fixing & supplying				
a	Supplying, fitting and fixing good quality lock and key	1.00	nos	150	150
b	Supplying, fitting and fixing plastic tap of 0.5" dia	1.00	nos	150	150
c	3/4 down graded brick chips	1.00	cft	100	100
		Total Quoted Price		BDT	4209

Note: Total amount of cost can be varied maximum $\pm 5\%$

Prepared by :
Latrine Design Group

Reviewed by :
DPHE, Cox's Bazar

Approved by :
Office of Refugee Relief and
Repatriation Commissioner (RRRC),
Cox's Bazar