
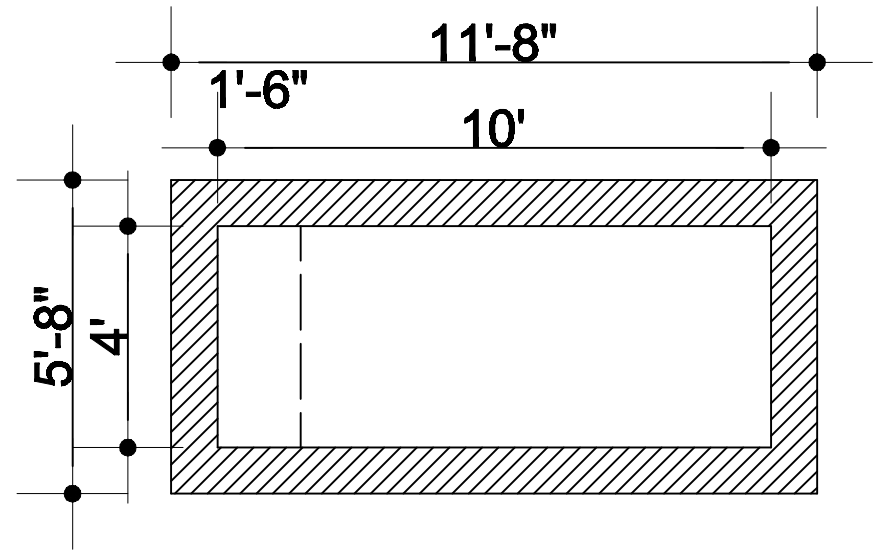
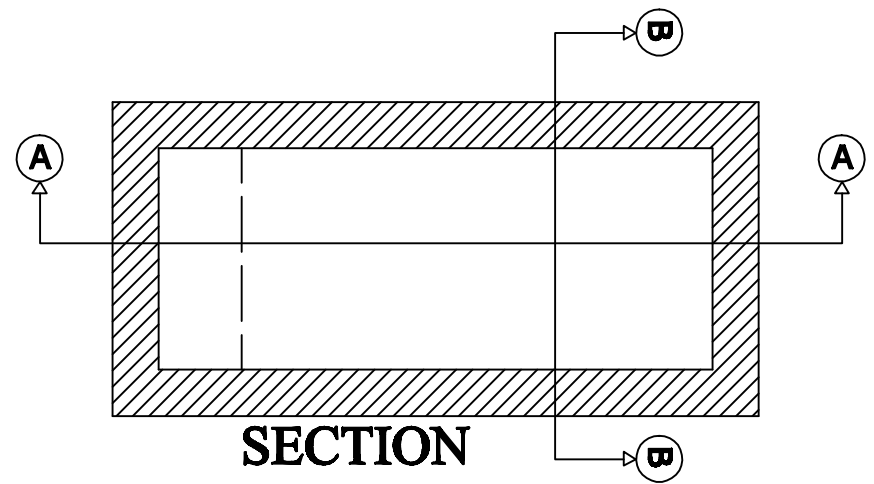


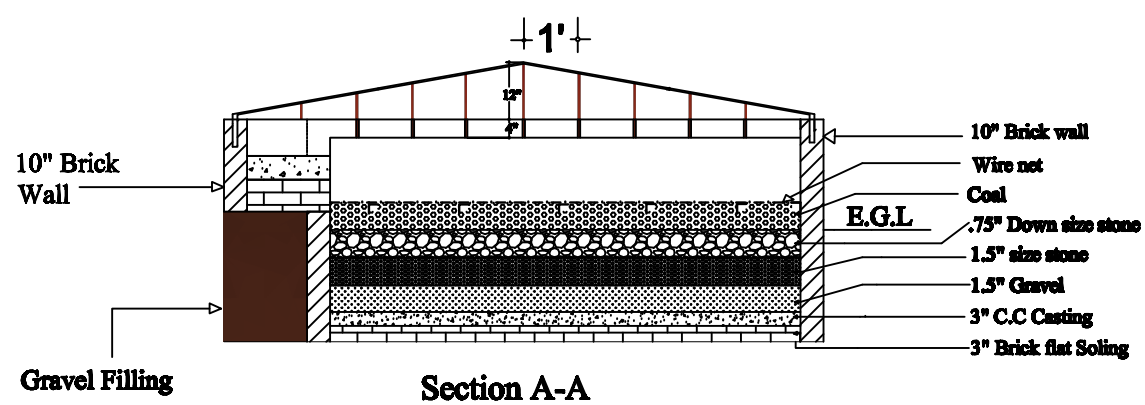
WORLD VISION BANGLADESH BRCRP, Cox's Bazar		PROJECT NAME: Upgrading to WSP FSTP	Drawn By : Abul Khair Rubel	WASH Engineer, WVB	Sheet Title: FSM layout
			Checked By : Jiku Mia	WASH Focal, WVB	
PARTNER'S NAME	PROJECT LOCATION : Camp 10, Ukhiya	PROJECT NO : BRCRP	Reviewed by : Nowshad Akram	WASH Manager, WVB	Scale: As Shown Date: January, 2021
			Approved by : Soharab Hossen	WASH LEAD, WVB	
					Drawing No: 1



Drying bed

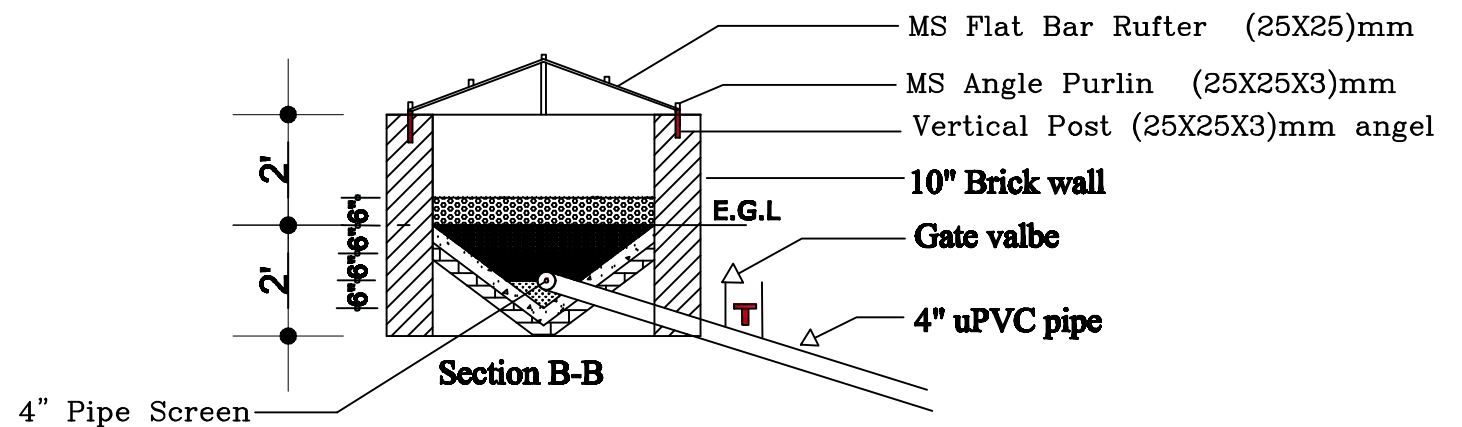


SECTION



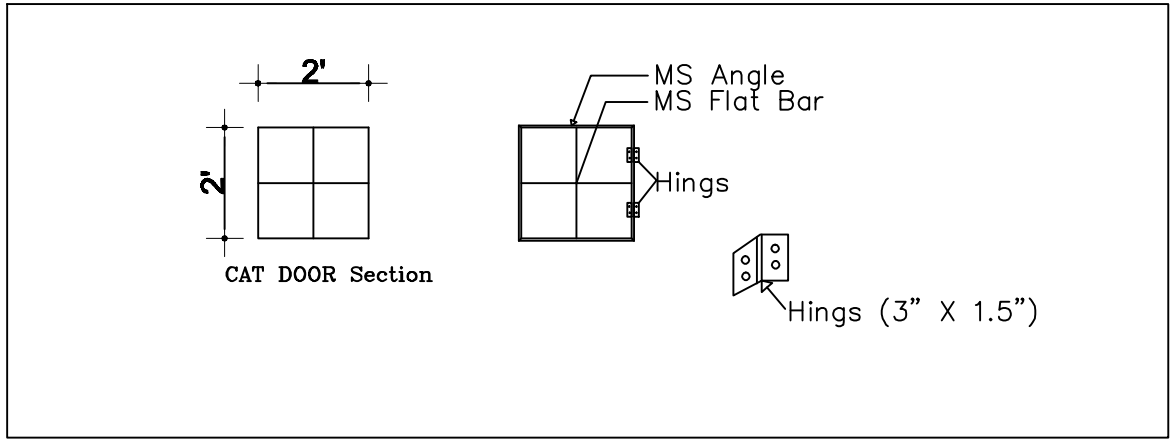
Section A-A

Drying bed



Section B-B

Drying bed



WORLD VISION BANGLADESH
BRCRP, Cox's Bazar



PROJECT NAME: Upgrading to WSP FSTP

Drawn By : Abul Khair Rubel

WASH Engineer, WVB

Sheet Title: Drying bed

Checked By : Jiku Mia

WASH Focal, WVB

PARTNER'S NAME

PROJECT LOCATION : Camp 10, Ukhiya

PROJECT NO : BRCRP

Reviewed by : Nowshad Akram

WASH Manager, WVB

Scale: As Shown

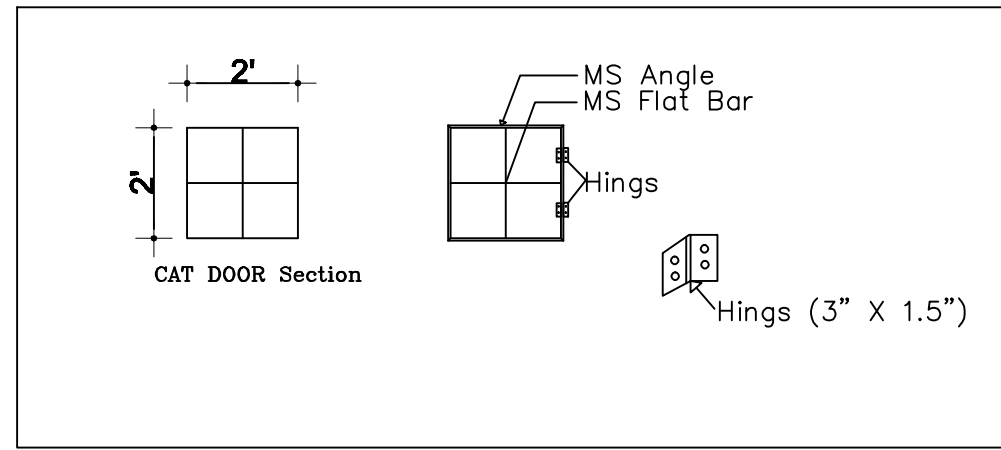
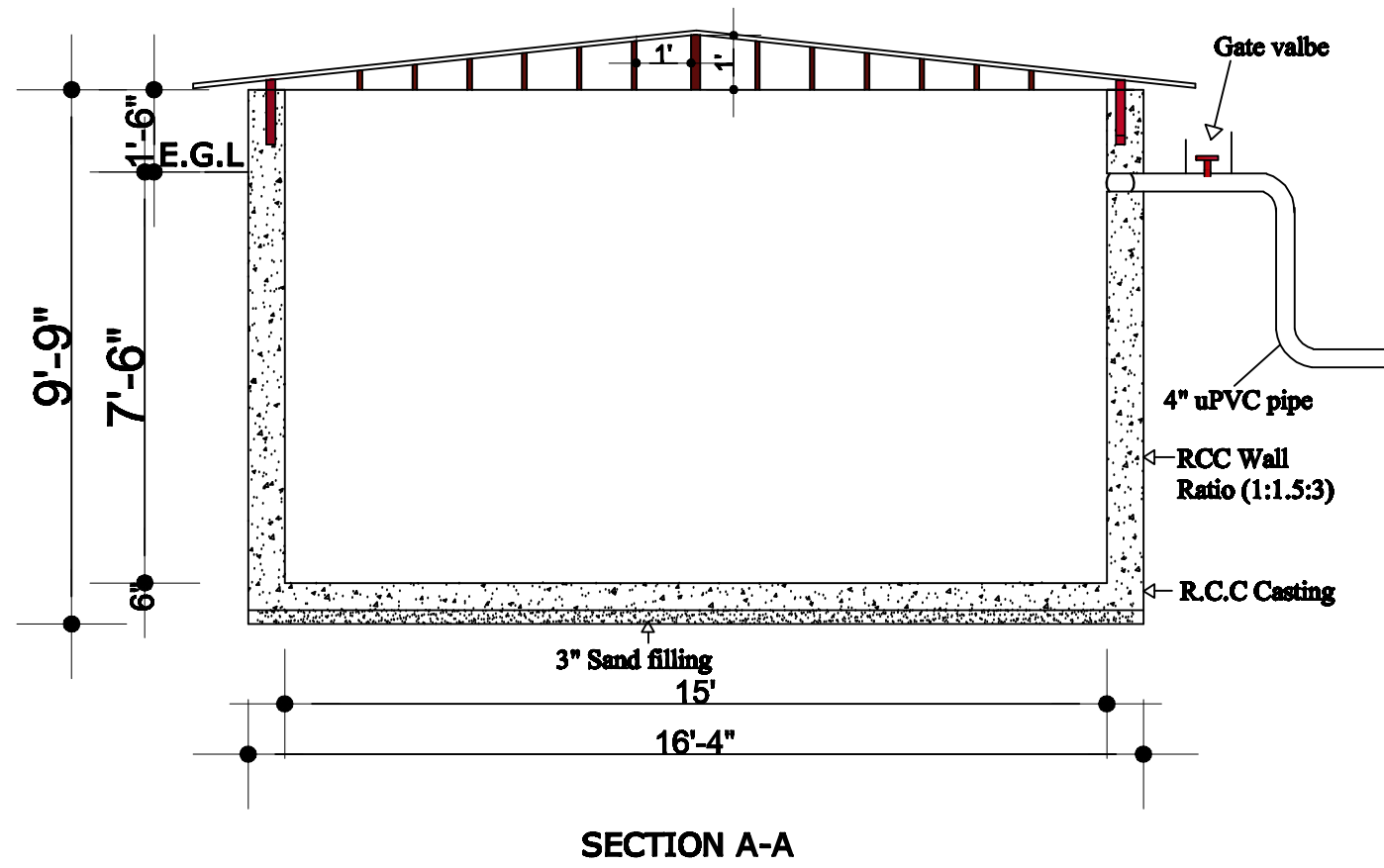
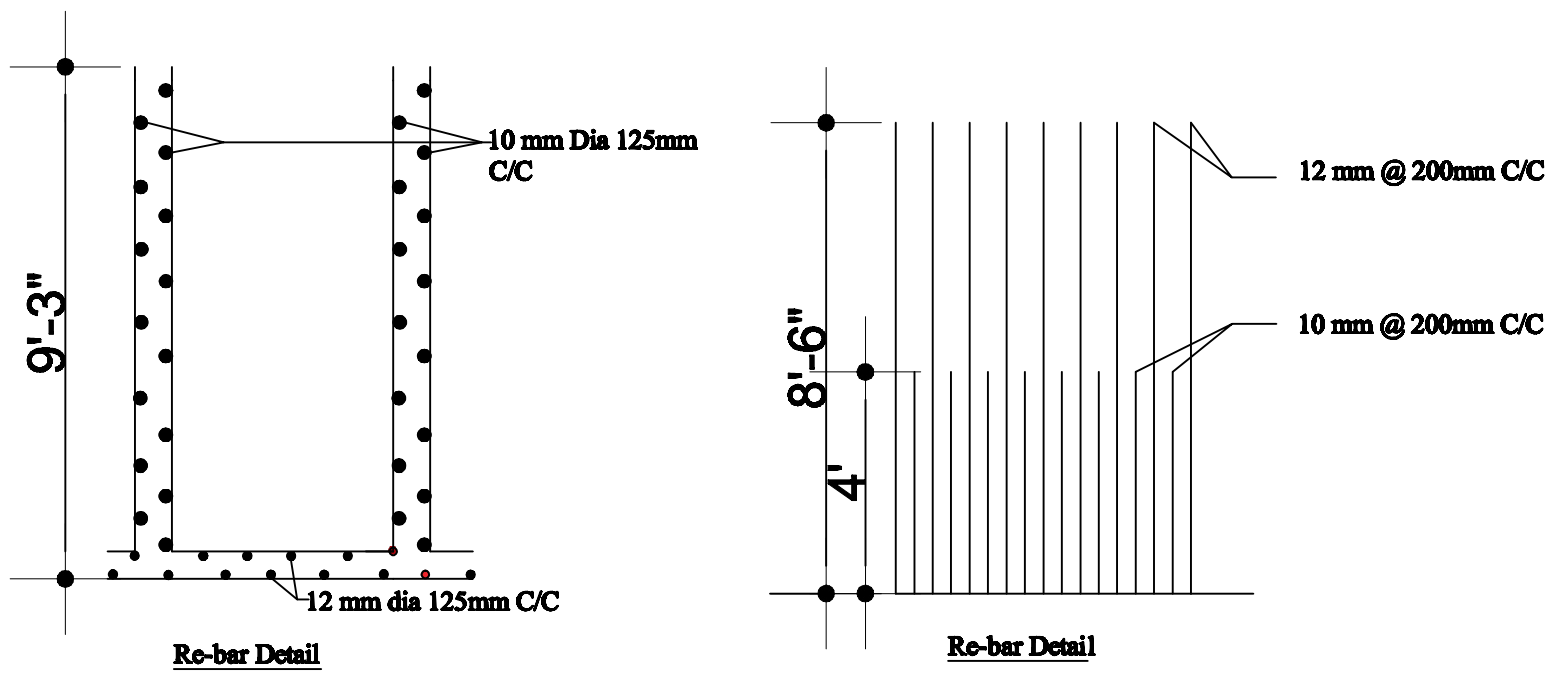
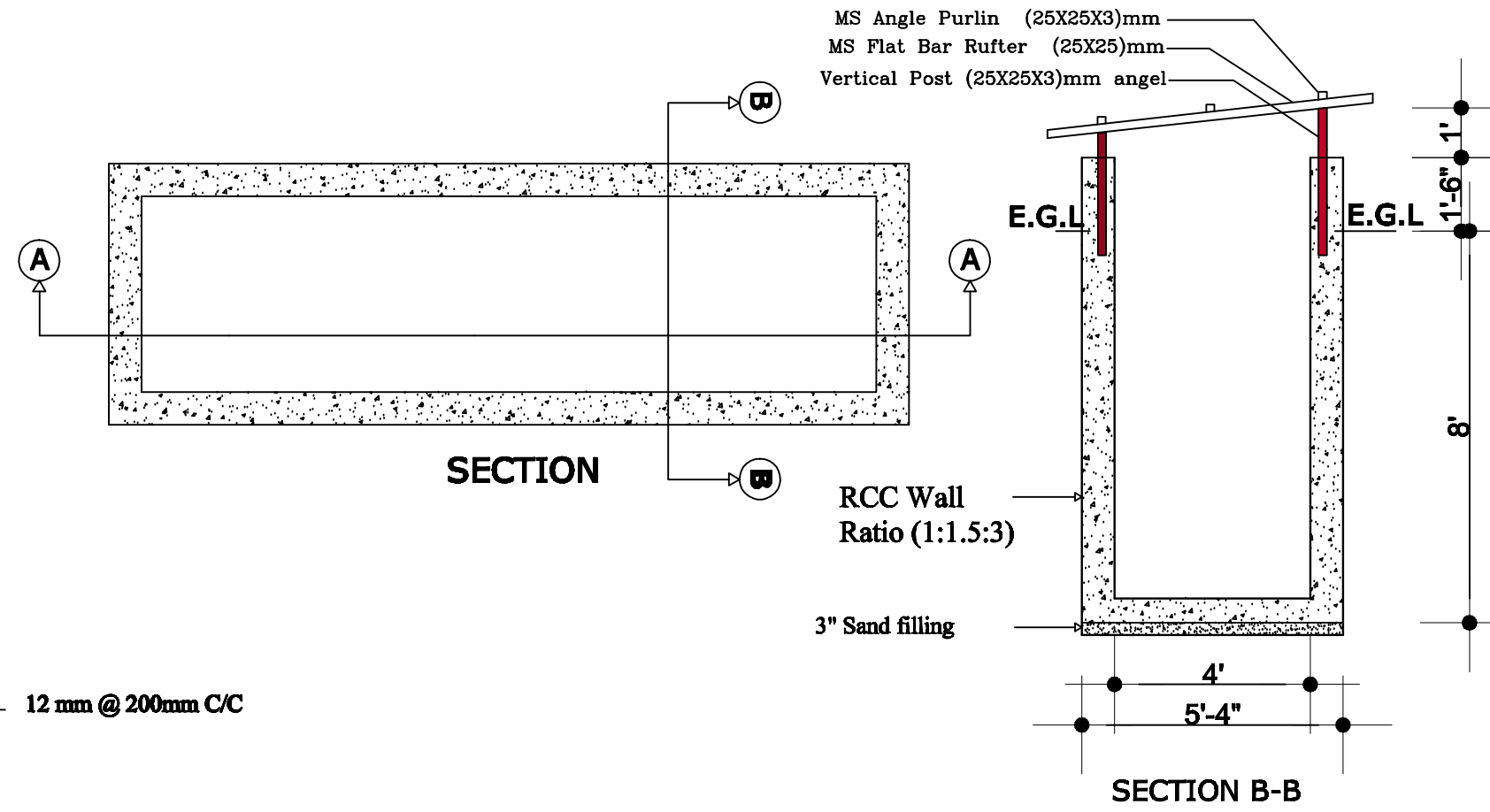
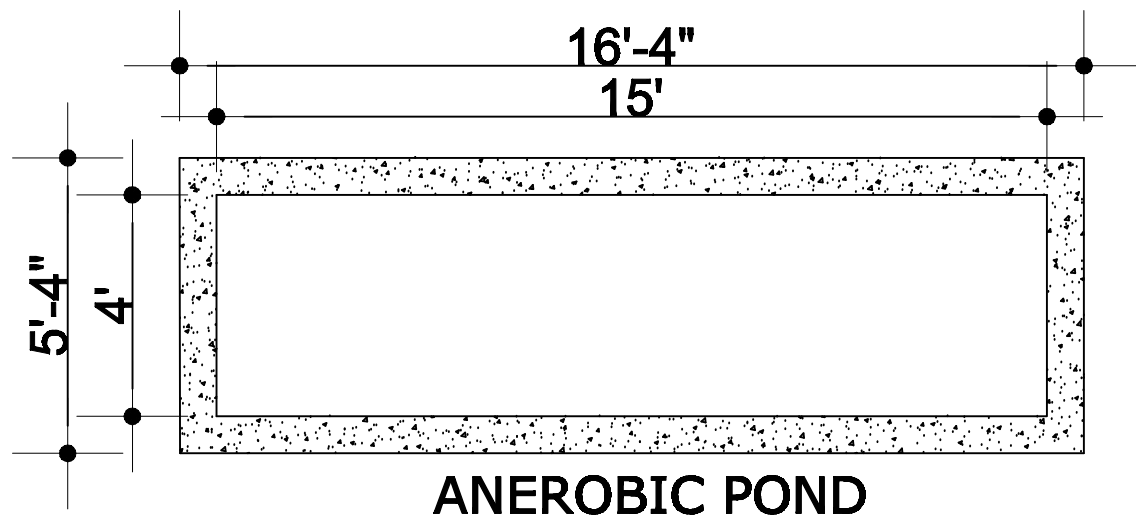
Approved by : Soharab Hossen

WASH LEAD, WVB

Date: January, 2021

Drawing No:

2



WORLD VISION BANGLADESH
BRCRP, Cox's Bazar



PROJECT NAME: Upgrading to WSP FSTP

Drawn By : Abul Khair Rubel
Checked By : Jiku Mia
Reviewed by : Nowshad Akram
Approved by : Soharab Hossen

WASH Engineer, WVB
WASH Focal, WVB
WASH Manager, WVB
WASH LEAD, WVB

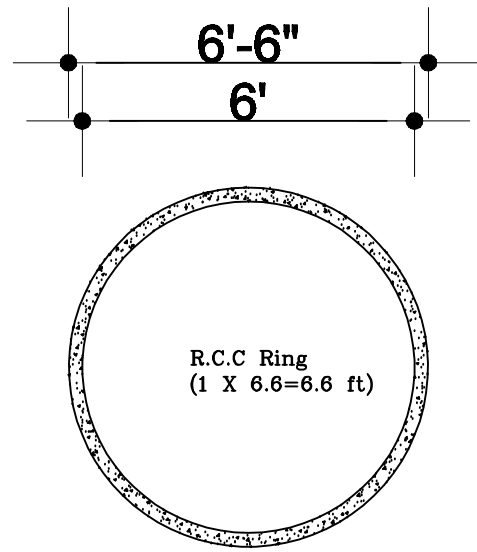
Sheet Title: **Anerobic pond**
Scale: As Shown
Date: January, 2021

PARTNER'S NAME

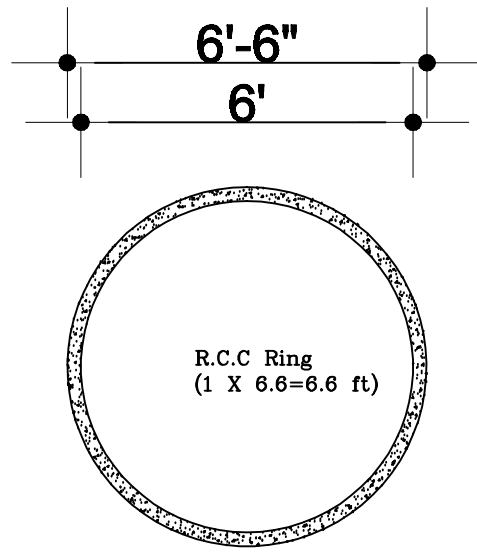
PROJECT LOCATION : Camp 10, Ukhiya

PROJECT NO : BRCRP

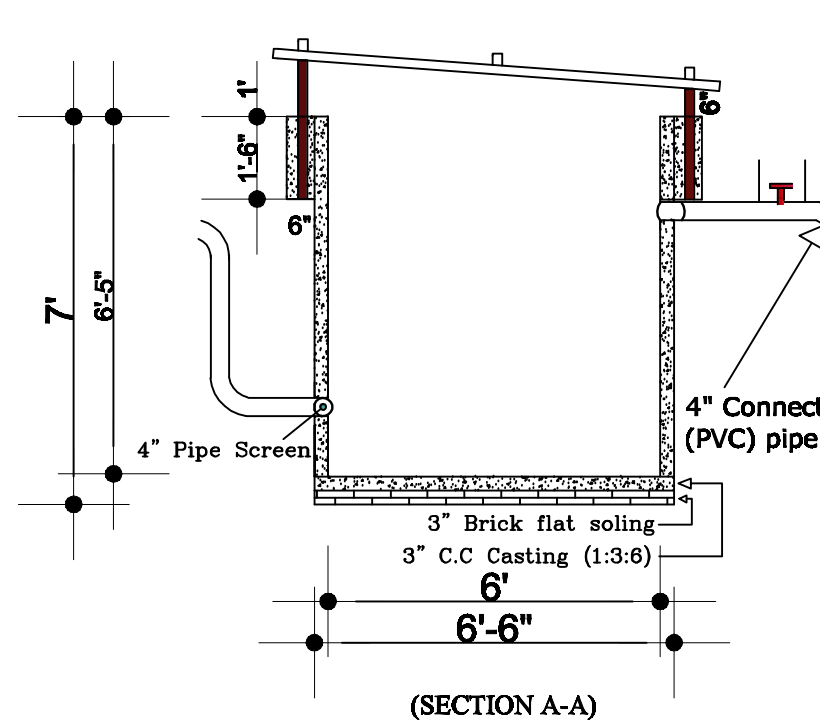
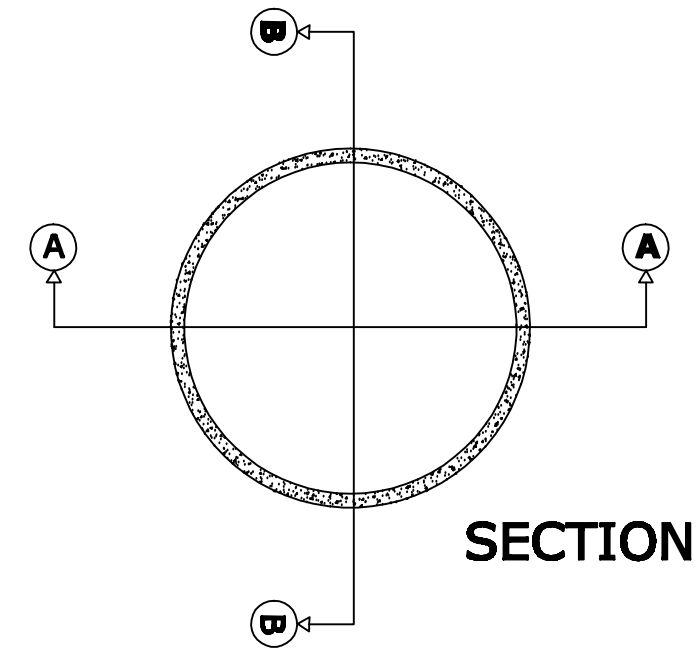
Drawing No: **3**



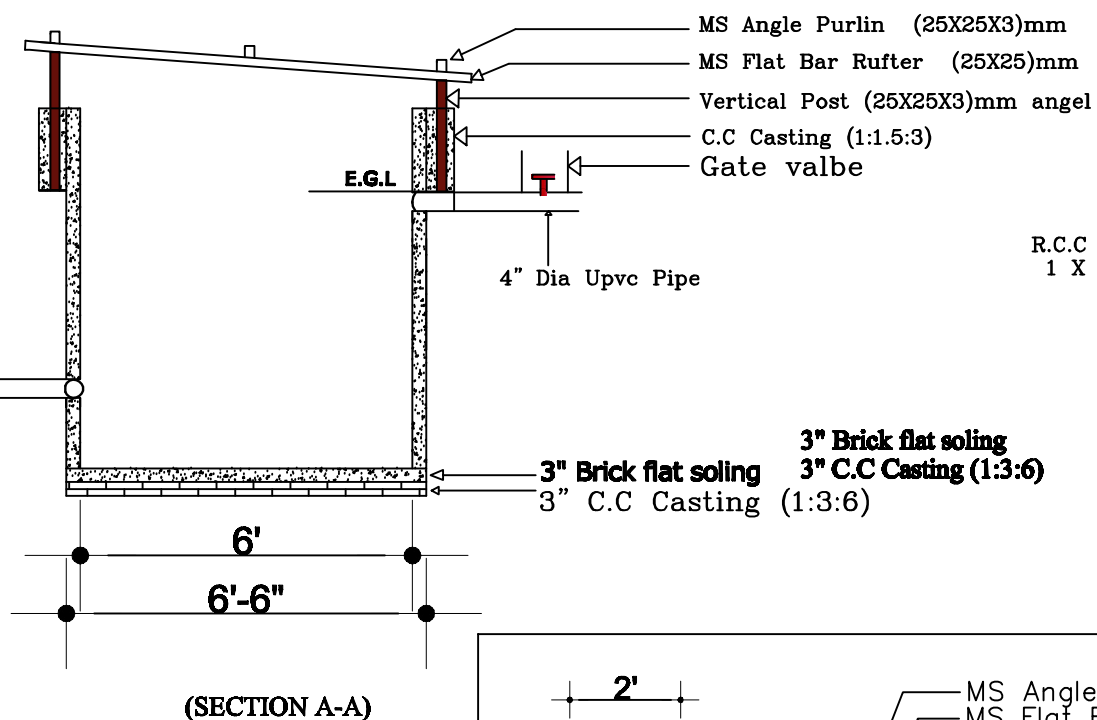
Facultative pond 1



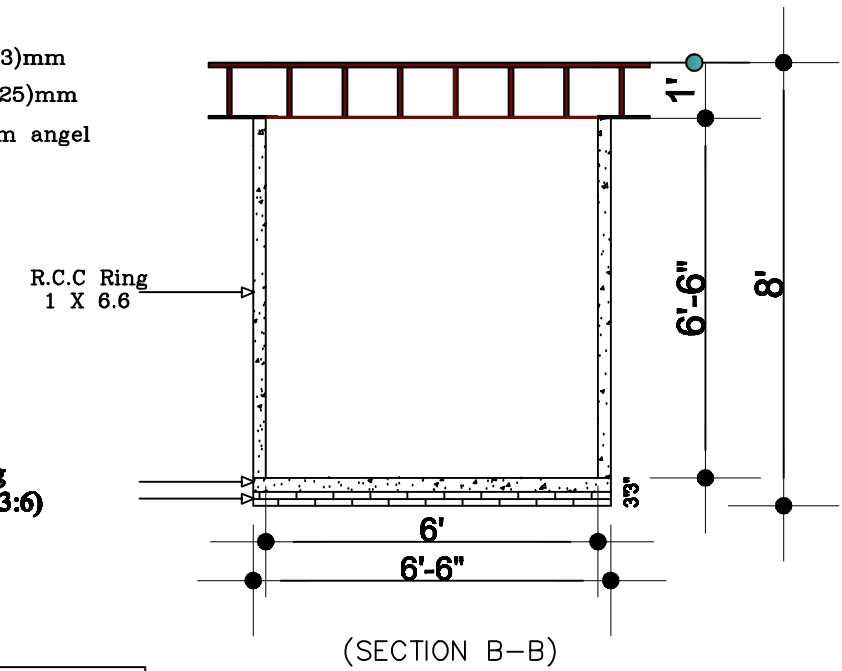
Facultative pond 2



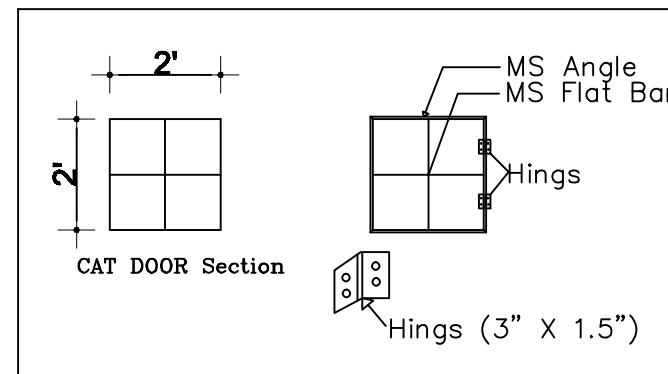
Facultative pond 1

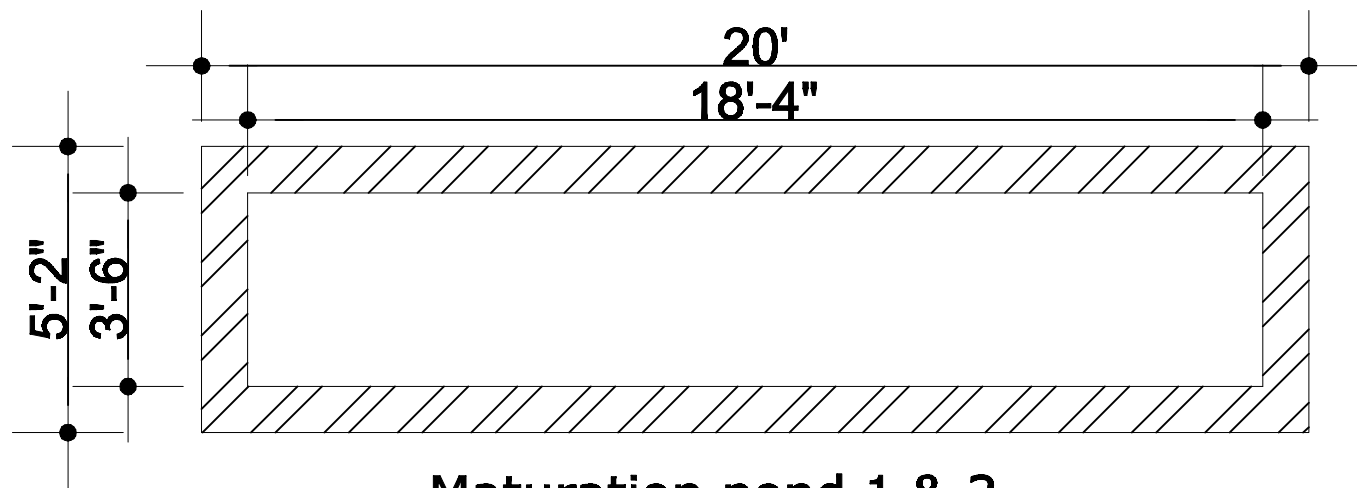


Facultative pond 2

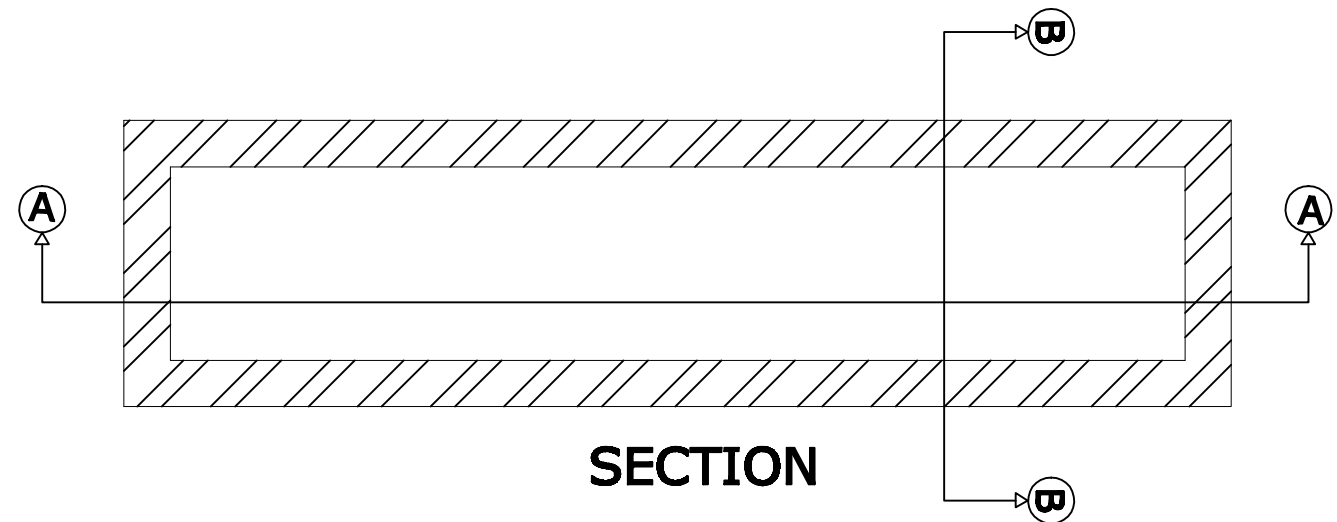


RCC Ring (1:1.5:3) ratio. outer dia 6 fit, height 1 fit, thickness 3" and supply, fitting & fixing 8mm and 6mm @150 c/c in both direction with 0.75" 1st class brick aggregate & 1.6 FM Sand.

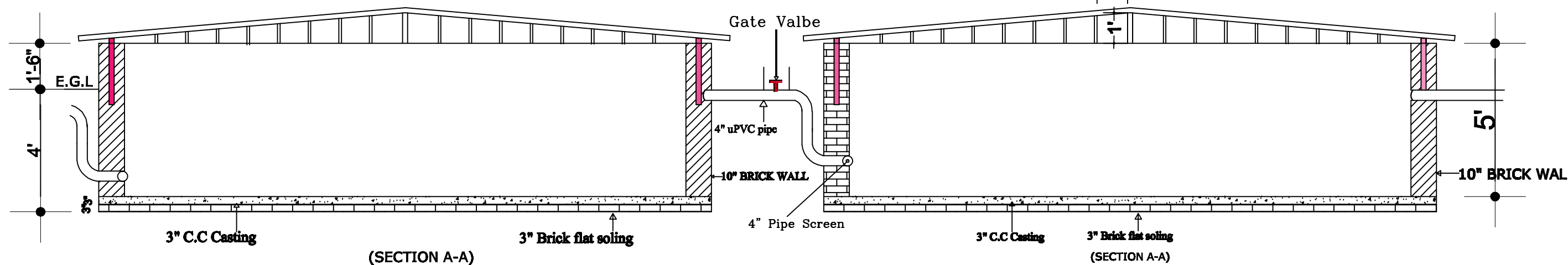




Maturation pond 1 & 2

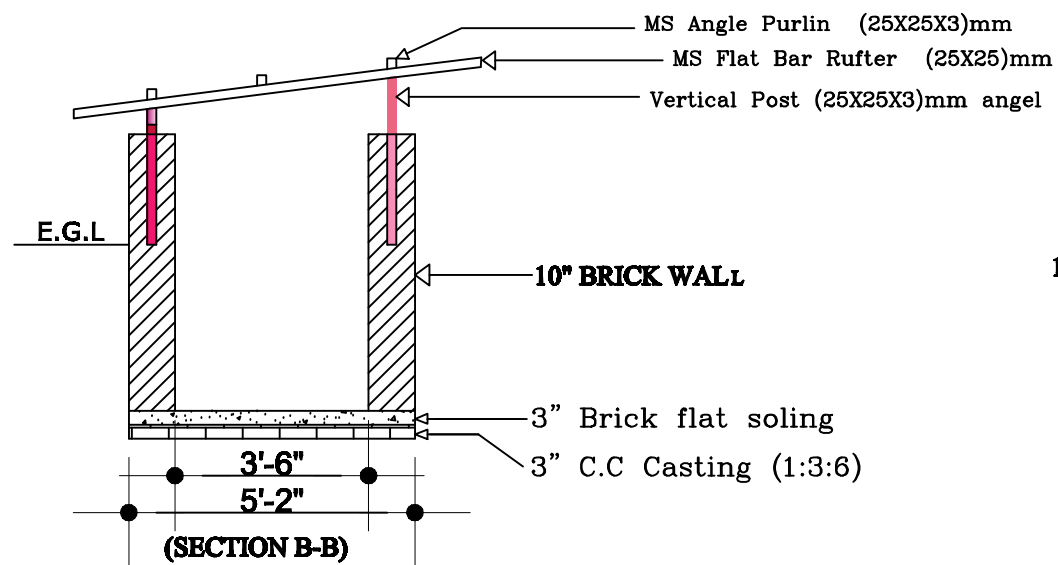


SECTION

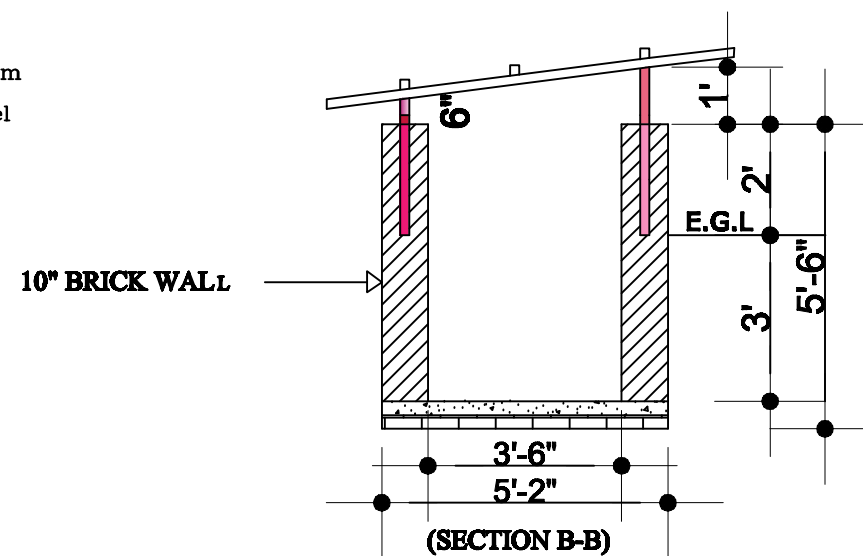


Maturation pond-1

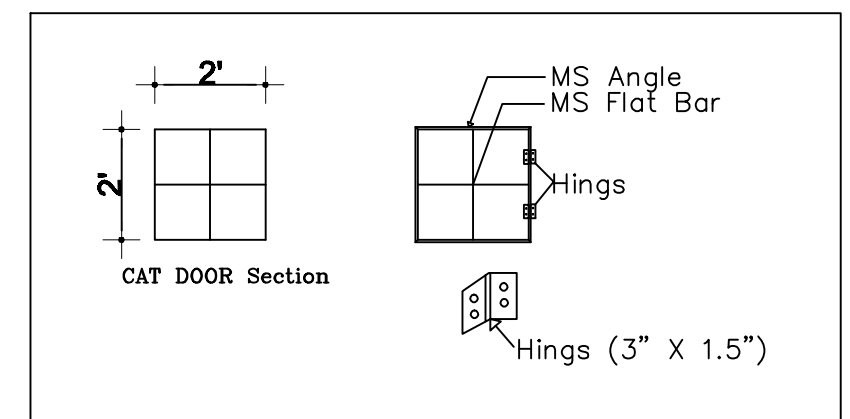
Maturation pond 2

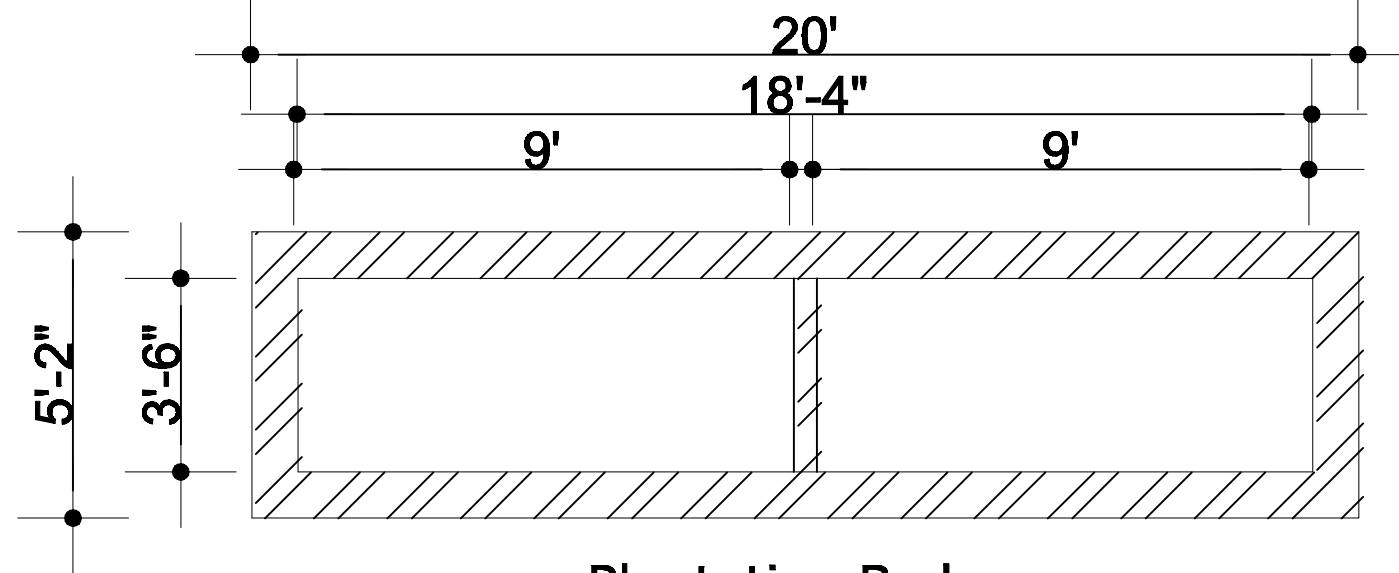


Maturation pond-1

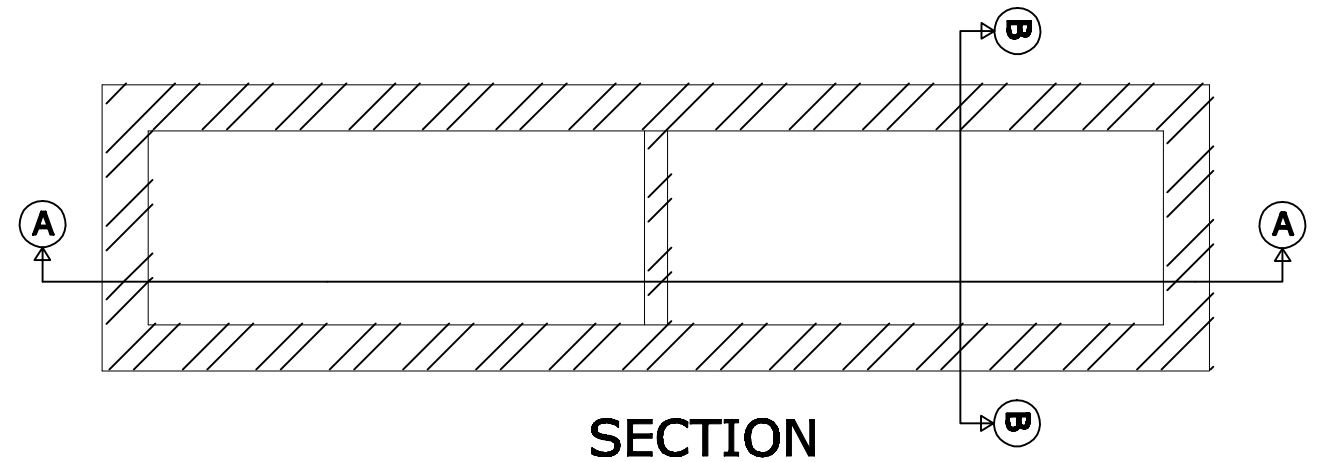


Maturation pond-2

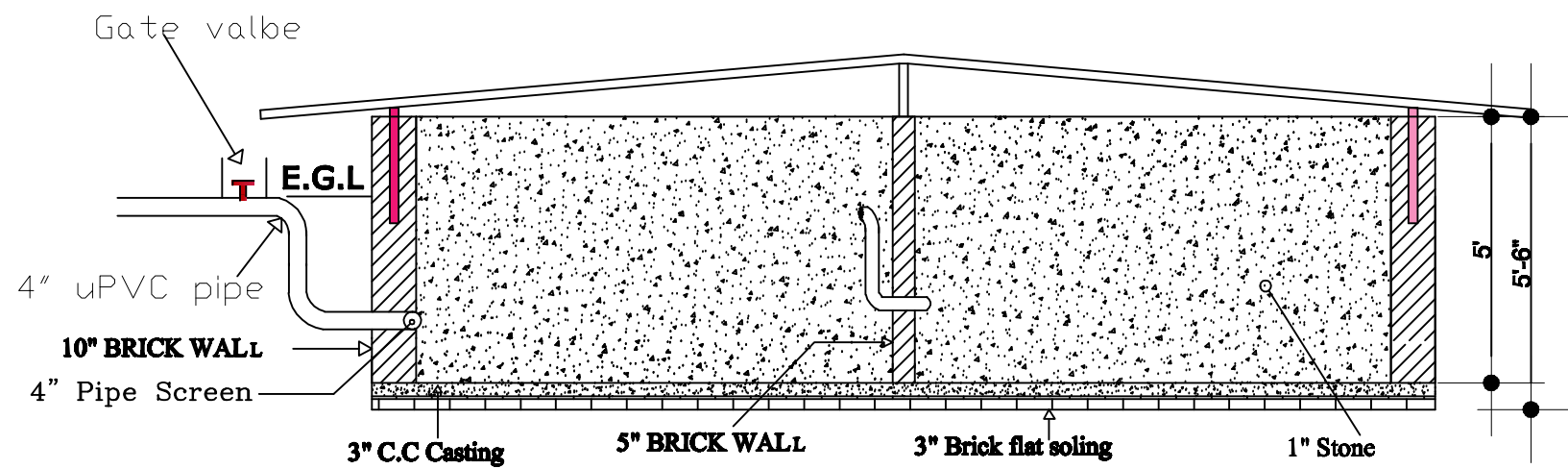




Plantation Bed

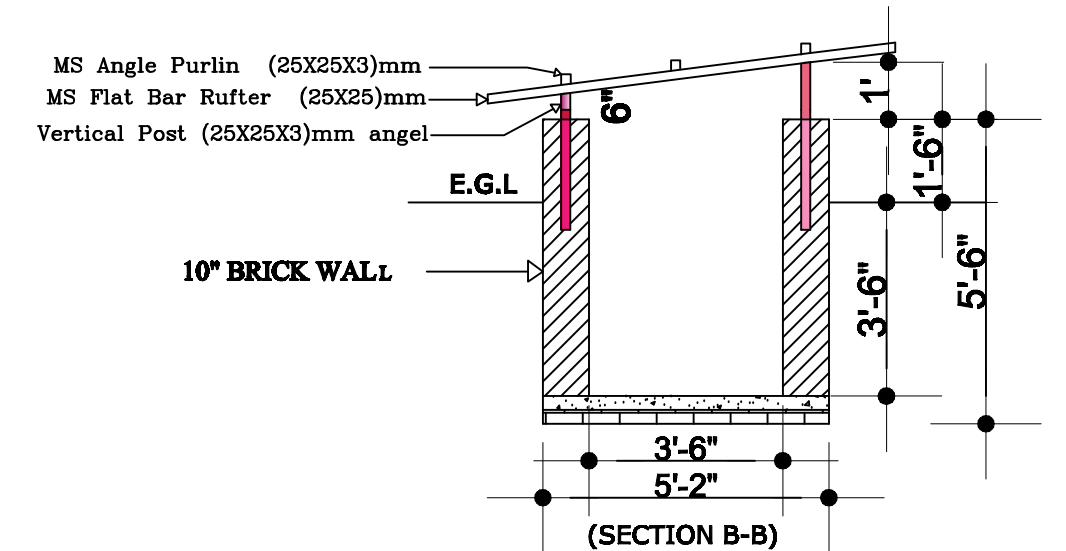


SECTION



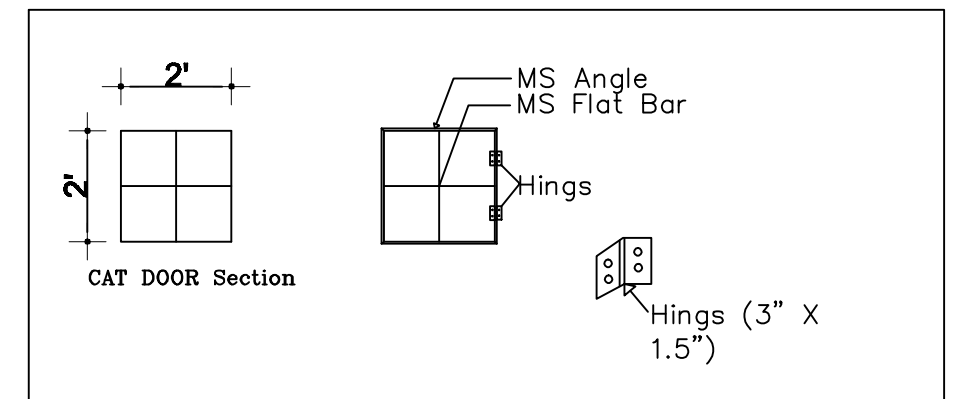
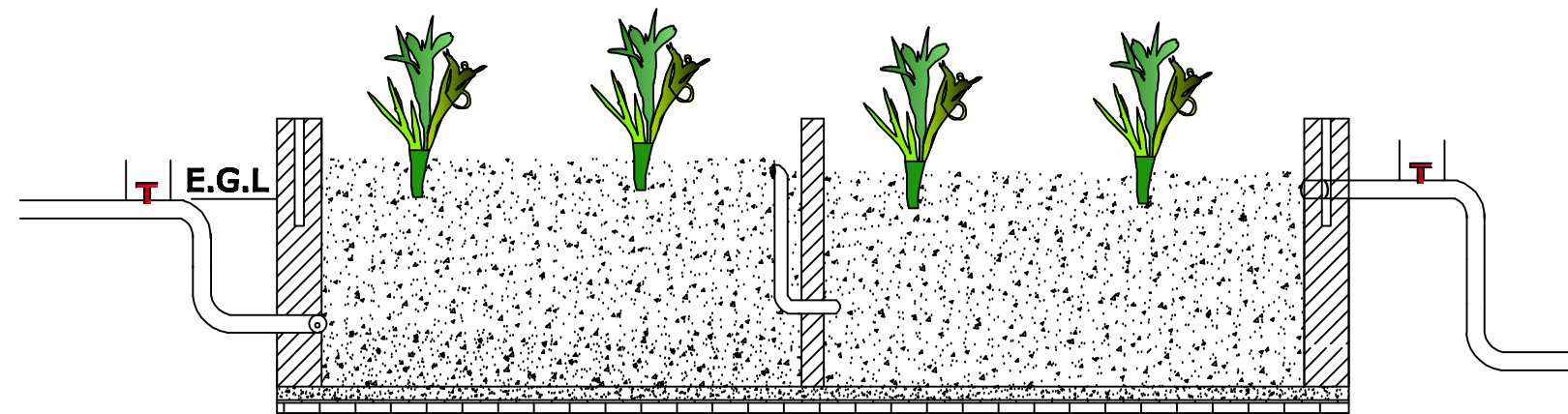
(SECTION A-A)

Plantation Bed



(SECTION B-B)

Plantation Bed



WORLD VISION BANGLADESH
BRCRP, Cox's Bazar



PROJECT NAME: Upgrading to WSP FSTP

Drawn By : Abul Khair Rubel

WASH Engineer, WVB

Sheet Title: **Plantation bed**

Checked By : Jiku Mia

WASH Focal, WVB

PARTNER'S NAME

PROJECT LOCATION : Camp 10, Ukhiya

PROJECT NO : BRCRP

Reviewed by : Nowshad Akram

WASH Manager, WVB

Scale: As Shown

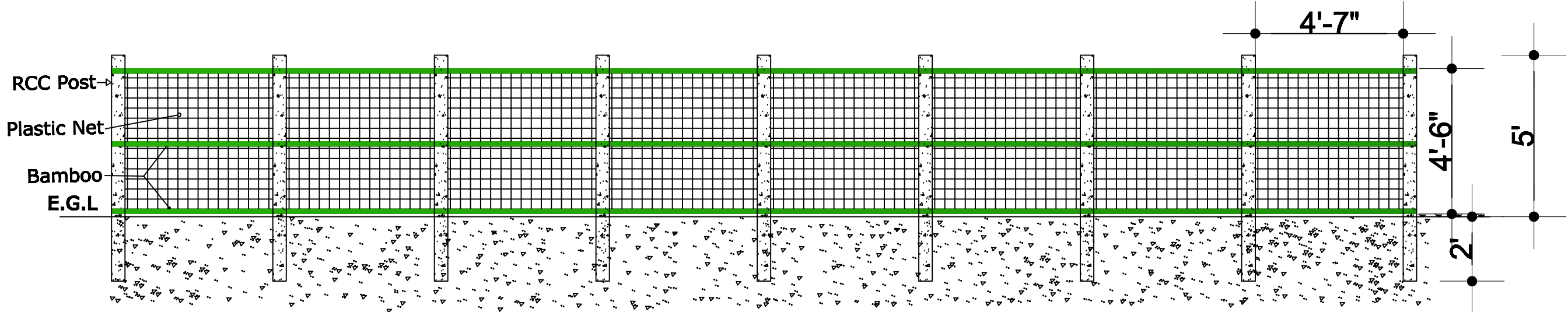
Approved by : Soharab Hossen

WASH LEAD, WVB

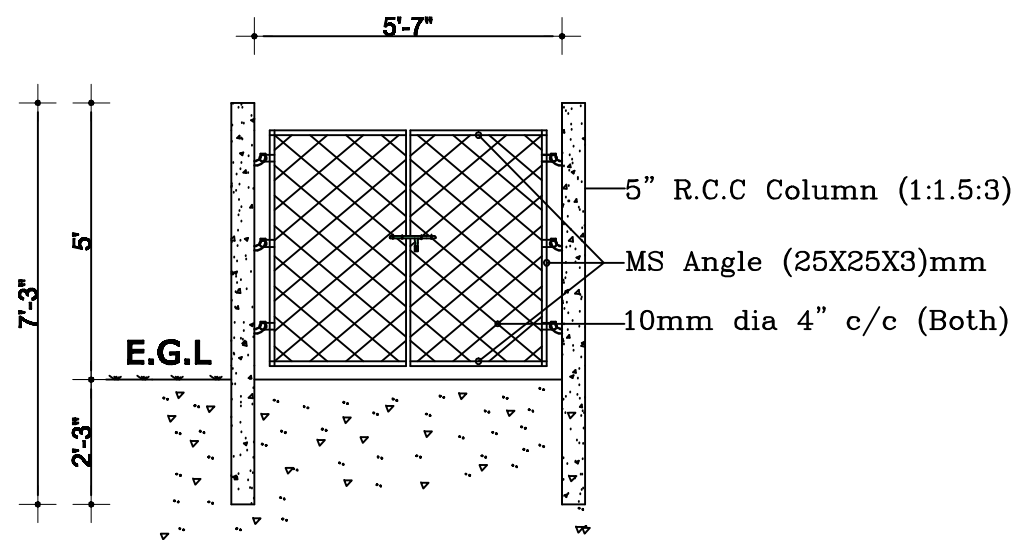
Date: January, 2021

Drawing No:

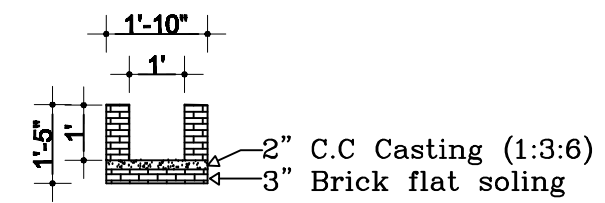
6



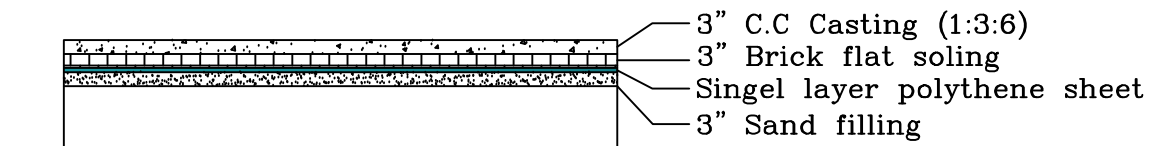
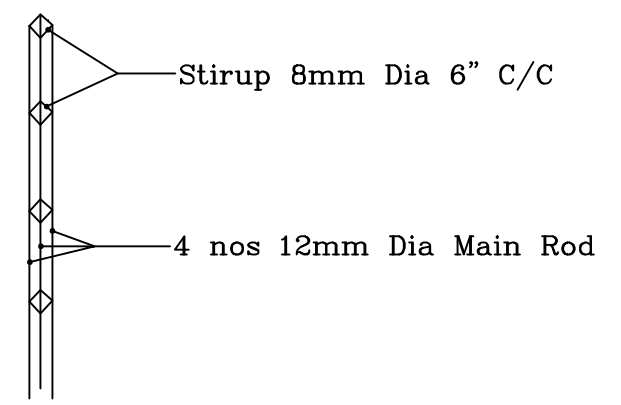
Boundary wall



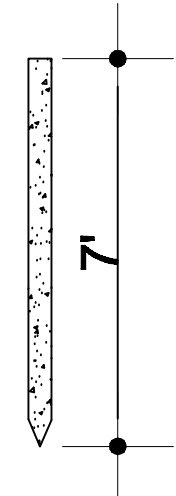
Gate of FSM



Drain for FSM Site

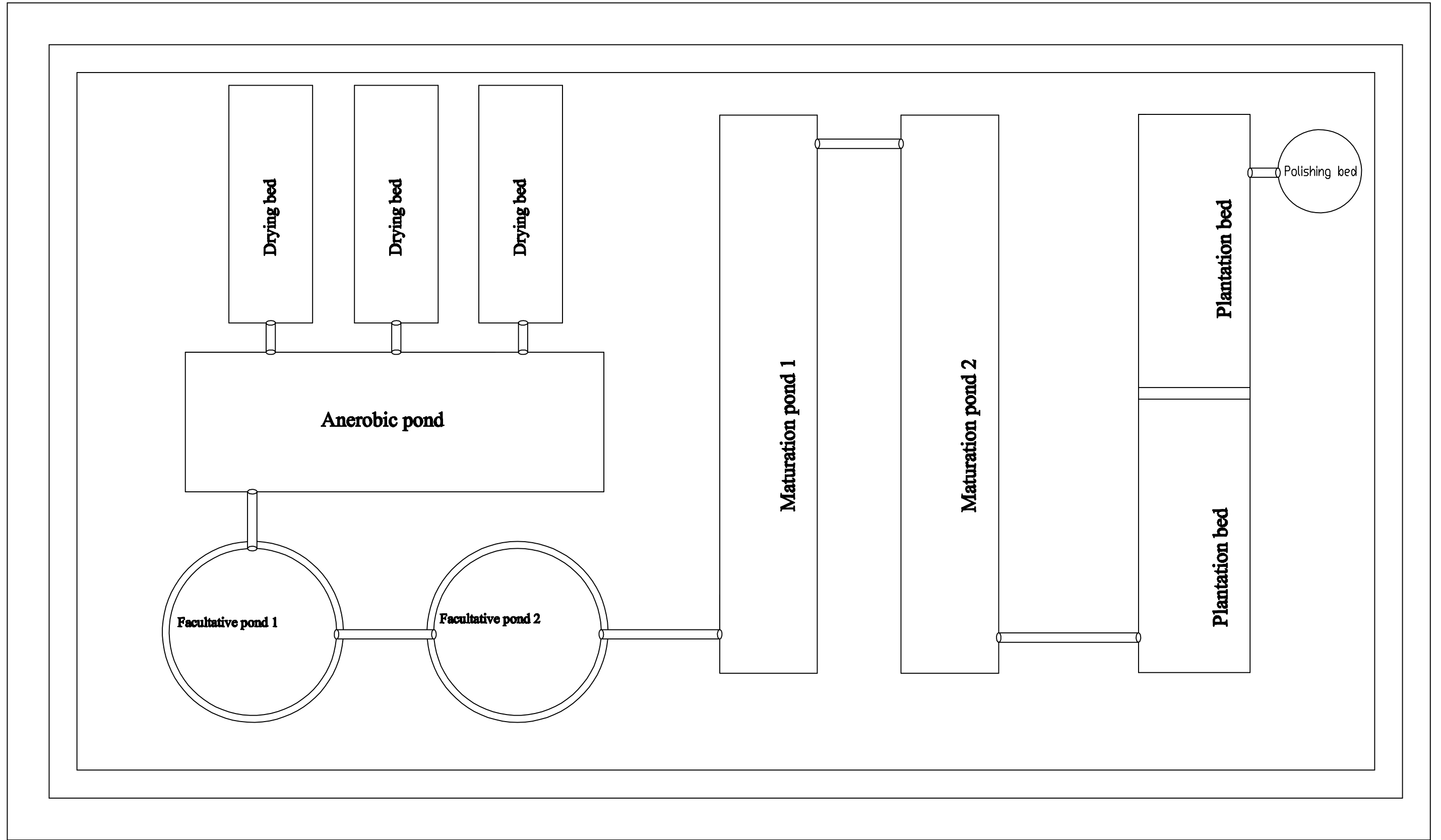


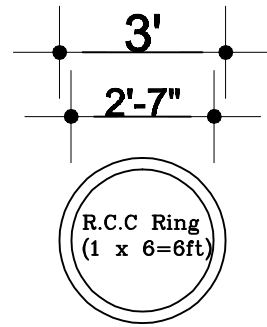
FSM Site Base (C.C, Brick flat soling, polythine sheet & sand filling)



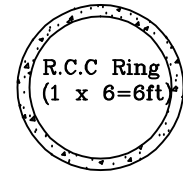
R.C.C Vertical post (Column) with 3/4" khoua, 2.5 FM Sand ratio (1:1.5:3)



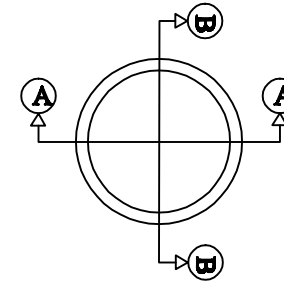




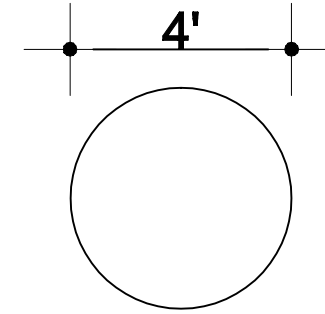
Polishing pond



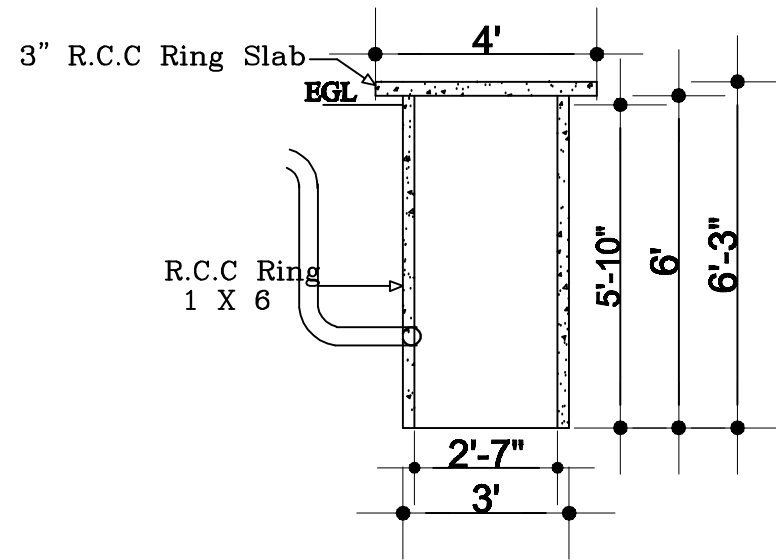
Polishing pond



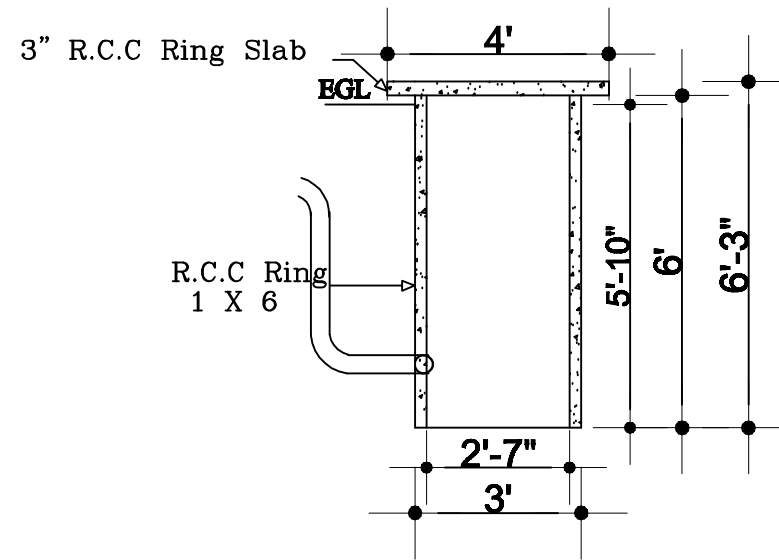
SECTION



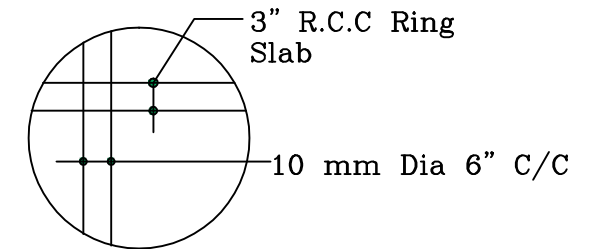
3" R.C.C Ring cover slab



(SECTION A-A)

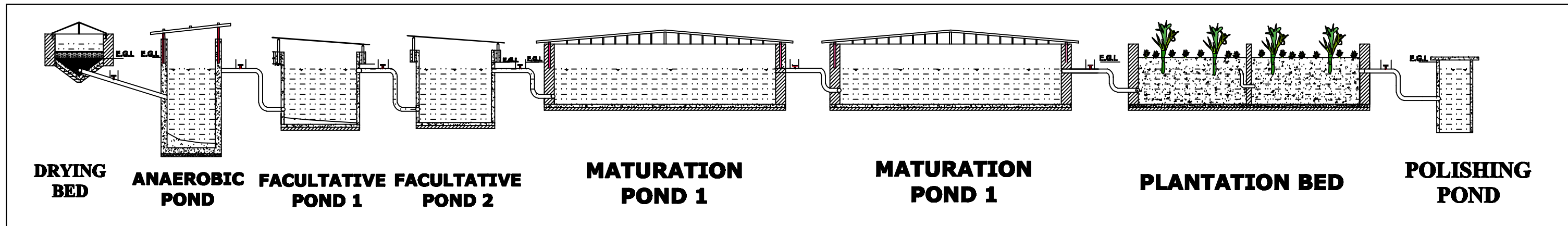


(SECTION B-B)



Reinforcement details of Ring cover slab

RCC Ring (1:1.5:3) ratio. outer dia 3 fit,
Ring height 1 fit, thickness 2.50" and
supply, fitting & fixing 8mm and 6mm
@150 c/c in both direction with 0.75" 1st
class brick aggregate & 1.6 FM Sand.



FEACUL SLUDGE TREATMENT PLANT